

HEAD OFFICE

4F A-Sung Bldg, 544 Gyeongin-Ro, Guro-Gu, Seoul 152-863
Tel : 82-2-2671-1900-5 Fax : 82-2-2671-5687

BUSAN BEANCH

B-202 Seo-Myenjeonpo shopping arcade, 33 Jeonpo-Daero,
255 Beon-gil, Busanjin-Gu, Busan 614-865
Tel : 82-51-818-7781-4 Fax : 82-51-804-4060

FACTORY

280, Haean-Ro, Danwon-Gu, Ansan-Si, Gyeonggi-Do 425-852
Tel : 82-31-494-8193-4 Fax : 82-31-492-6650

28-110, Bugokgongdan 4-Gil, Dangjin-Si, Chungcheongnam-Do 343-827
Tel : 82-41-357-8192-5 Fax : 82-41-357-8676

CHINA

A-2115 Oriental International Plaza, 85 LouShanGuan Rd,
Changning District, Shanghai, China, 200336
Office : 86-21-62782288 #215 Fax : 86-21-6278-3723

HONG KONG

Rm401-403, 4/F, Honour Industrial Centre, 6 Sun Yip St.,
Chai Wan, Hong Kong

Homepage : www.asungvalve.com

E-mail : asung@asungvalve.com



Since 1967

ASUNG of World

▪ **South Korea**

Seoul : HEAD OFFICE
 Busan : BRANCH
 Ansan : FACTORY
 Dangjin : FACTORY

▪ **China**

Shanghai : REPRESENTATIVE OFFICE
 Hong Kong : REPRESENTATIVE OFFICE

▪ **North / Central / South America**

Canada, USA
 Chile, Brazil

▪ **Asia**

Azerbaijan, China, Indonesia, Japan,
 Kuwait, Malaysia, Myanmar, Philippines,
 Singapore, Taipei, Thailand, Vietnam

▪ **Europe**

Bulgaria

▪ **Africa**

Nigeria



Contents

APRIL 2015 / Vol. 001



Thermo Plastic Valves

006	Ball Valves Ball Valves True Union Ball Valves 3-Way Union Ball Valves Lab Cock Valves Compact Ball Valves	048	Check & Foot Valves Check Valves Swing Check Valves Foot Valves
028	Diaphragm Valves Diaphragm Valves New Diaphragm Valves True Union Diaphragm Valves	068	Gate & Glove Valves Sluice Gate Valves Glove (Stop) Valves
042	Butterfly Valves Butterfly Valves	076	Others Gauge Valves Sight Glass T-Strainer

Clean PVC

Piping System



Beyond Flow Control


CLEANFLOW™
Korea's Best

Ball Valves

Thermo Plastic Valves



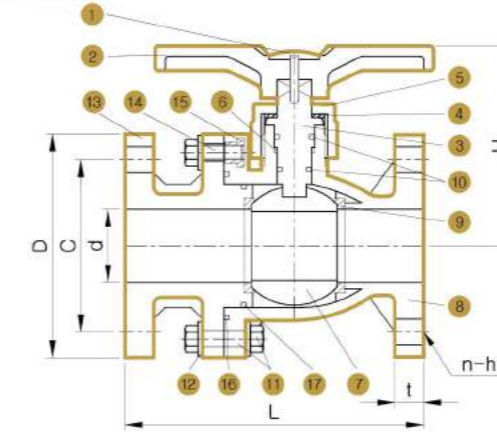
Ball Valves

Flange Type

- Material : PVC, CPVC, PP, PVDF
- Size : 15mm - 150mm, ½" - 6"
- Pressure Rating : JIS 10kgf/cm², 150 PSI
- Seals (Seat) : PTFE
- O-Ring : EPDM or FPM
- Connections : ANSI 150 PSI Flanged
JIS 10kgf/cm² Flanged

Special Features

- Full Bore Type
- 뛰어난 내구성과 간편한 조작성
- 양방향 흐름 제어 가능
- STEM의 2중 O-RING 장착으로 기밀성 확보
- PTFE Seal 장착
- Bracket 장착시 Actuator 설치 가능



NO	PARTS	MATERIALS
1	HANDLE CAP BOLT	SS41 (ABS COATED)
2	HANDLE	PP
3	STEM	PP/PVDF/PVC/CPVC
4	STEM WASHER	PP
5	GLAND CAP	PP/PVDF/PVC/CPVC
6	STEM RING	PE PTFE
7	BALL	PP/PVDF/PVC/CPVC
8	BODY	PP/PVDF/PVC/CPVC
9	NIP SEAL	PTFE
10	STEM O-RING	EPDM FPM
11	BOLT & NUT	SS41 (PP COATED)
12	WASHER	SUS 304
13	FLANGE	PP/PVDF/PVC/CPVC
14	STUD BOLT	SS41 (PLATING : Zn) N/A
15	INSERTED NUT	BC N/A
16	BODY O-RING	EPDM FPM
17	FLANGE SIDE O-RING	EPDM FPM

PP&PVDF

JIS

Parts Size	d	L	t	JIS 10K			H	MAX Working Pressure (kg/cm ²)
				D	C	n-h		
15A	15	145	15	95	70	4-15	85	10
20A	20	150	15	100	75	4-15	85	10
25A	25	170	16	125	90	4-19	90	10
30A	30	175	16	135	100	4-19	120	10
40A	40	191	19	140	105	4-19	125	10
50A	51	212	19	155	120	4-19	135	10
65A	65	260	21	175	140	4-19	185	10
80A	75	266	21	185	150	8-19	185	10
100A	100	300	23	210	175	8-19	195	10
125A	127	361	25	250	210	8-23	230	7.5
150A	140	361	25	280	240	8-23	230	7.5

ANSI

Parts Size	d	L	t	ANSI CLASS 150			H	MAX Working Pressure (kg/cm ²)
				D	C	n-h		
1/2"	0.59	5.71	0.59	3.50	2.38	4-0.63	3.35	10
3/4"	0.79	5.91	0.59	3.88	2.75	4-0.63	3.35	10
1"	0.98	6.69	0.63	4.25	3.12	4-0.63	3.54	10
1-1/4"	1.26	6.89	0.63	4.62	3.50	4-0.63	4.72	10
1-1/2"	1.57	7.52	0.75	5.00	3.88	4-0.63	4.92	10
2"	2.01	8.35	0.75	6.00	4.75	4-0.75	5.31	10
2-1/2"	2.56	10.24	0.83	7.00	5.50	4-0.75	7.28	10
3"	2.95	10.47	0.83	7.50	6.00	4-0.75	7.28	10
4"	3.94	11.81	0.91	9.00	7.50	8-0.75	7.68	10
5"	5.00	14.21	0.98	10.00	8.50	8-0.87	9.06	7.5
6"	5.51	14.21	0.98	11.00	9.50	8-0.87	9.06	7.5

PVC&CPVC

JIS

Parts Size	d	L	t	JIS 10K			H	MAX Working Pressure (kg/cm ²)
				D	C	n-h		
15A	15	148	15	95	70	4-15	85	10
20A	20	153	15	100	75	4-15	85	10
25A	25	173	16	125	90	4-19	90	10
30A	30	180	17	135	100	4-19	120	10
40A	40	195	19	140	105	4-19	125	10
50A	51	215	19	155	120	4-19	135	10
65A	65	265	21	175	140	4-19	185	10
80A	75	271	21	185	150	8-19	185	10
100A	100	304	23	210	175	8-19	195	10
125A	127	369	26	250	210	8-23	230	7.5
150A	140	369	26	280	240	8-23	230	7.5

ANSI

Parts Size	d	L	t	ANSI CLASS 150			H	MAX Working Pressure (kg/cm ²)
				D	C	n-h		
1/2"	0.59	5.83	0.59	3.50	2.38	4-0.63	3.35	10
3/4"	0.79	6.02	0.59	3.88	2.75	4-0.63	3.35	10
1"	0.98	6.85	0.67	4.25	3.12	4-0.63	3.54	10
1-1/4"	1.26	7.09	0.67	4.62	3.50	4-0.63	4.72	10
1-1/2"	1.57	7.68	0.75	5.00	3.88	4-0.63	4.92	10
2"	2.01	8.46	0.75	6.00	4.75	4-0.75	5.31	10
2-1/2"	2.56	10.43	0.83	7.00	5.50	4-0.75	7.28	10
3"	2.95	10.67	0.83	7.50	6.00	4-0.75	7.28	10
4"	3.94	11.97	0.91	9.00	7.50	8-0.75	7.68	10
5"	5.00	14.53	1.02	10.00	8.50	8-0.87	9.06	7.5
6"	5.51	14.53	1.02	11.00	9.50	8-0.87	9.06	7.5

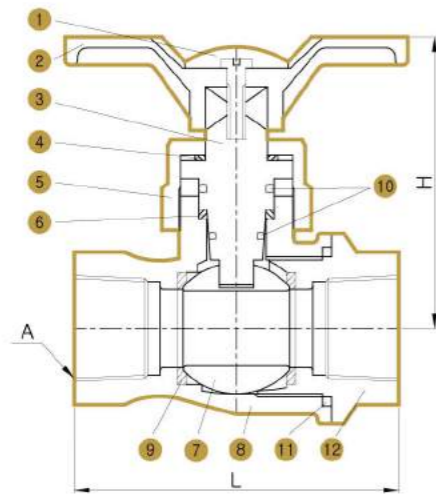
Ball Valves

Thread Type

- Material : PVC, CPVC, PP, PVDF
- Size : 15mm - 50mm, 1/2" - 2"
- Pressure Rating : JIS 10kgf/cm², 150 PSI
- Seals (Seat) : PTFE
- O-Ring : EPDM or FPM
- Connections : PT Thread

Special Features

- Full Bore Type
- 뛰어난 내구성과 간편한 조작성
- 양방향 흐름 제어 가능
- STEM의 2중 O-RING 장착으로 기밀성 확보
- PTFE Seal 장착



NO	PARTS	MATERIALS
1	HANDLE CAP BOLT	SS41 (ABS COATED)
2	HANDLE	PP
3	STEM	PP/PVDF/PVC/CPVC
4	STEM WASHER	PE
5	GRAND CAP	PP/PVDF/PVC/CPVC
6	STEM RING	PTFE
7	BALL	PP/PVDF/PVC/CPVC
8	BODY	PP/PVDF/PVC/CPVC
9	NIP SEAL	PTFE
10	STEM O-RING	EPDM FPM
11	BODY CAP RING	PE
12	BODY CAP	PP/PVDF/PVC/CPVC



PP&PVDF

JIS

Size	Parts	L	H	unit : mm	
				JIS B 0203 A	MAX Working Pressure (kg/cm ²)
15A		82	78	PT 1/2"	10
20A		89	80	PT 3/4"	10
25A		103	90	PT 1"	10
30A		118	95	PT 1 1/4"	10
40A		130	115	PT 1 1/2"	10
50A		148	120	PT 2"	10

PVC&CPVC

JIS

Size	Parts	L	H	unit : mm	
				JIS B 0203 A	MAX Working Pressure (kg/cm ²)
15A		93	78	PT 1/2"	10
20A		105	80	PT 3/4"	10
25A		120	90	PT 1"	10
30A		134	95	PT 1 1/4"	10
40A		156	115	PT 1 1/2"	10
50A		176	120	PT 2"	10

True Union Ball Valves

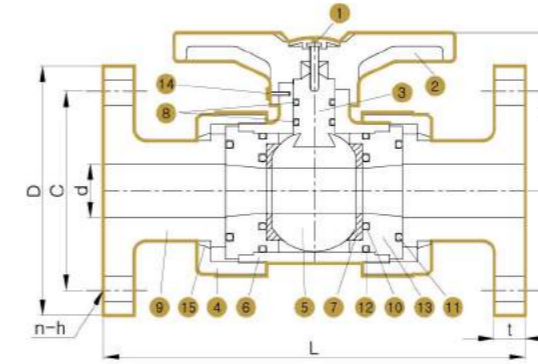


Flange Type

- Material : PVC, CPVC, PP, PVDF
- Size : 15mm - 100mm, 1/2" - 4"
- Pressure Rating : JIS 10kgf/cm², 150 PSI
- Seals (Seat) : PTFE
- O-Ring : EPDM or FPM
- Connections : ANSI 150 PSI Flanged
JIS 10kgf/cm² Flanged

Special Features

- Full Bore Type
- 뛰어난 내구성과 간편한 조작성
- Union 장착으로 교체 작업 용이
- 양방향 흐름 제어 가능
- STEM의 2중 O-RING 장착으로 기밀성 확보
- PTFE Seal 장착
- 다양한 Connections (Flange, Thread, Socket)



NO	PARTS	MATERIALS
1	HANDLE CAP BOLT	15A-50A : SS41 (ABS COATED) 65A-100A : SS41 (PP COATED)
2	HANDLE	PP
3	STEM	PP/PVDF/PVC/CPVC
4	GLAND CAP	PP/PVDF/PVC/CPVC
5	BALL	PP/PVDF/PVC/CPVC
6	BODY	PP/PVDF/PVC/CPVC
7	NIP SEAL	PTFE
8	STEM O-RING	EPDM FPM
9	END CONNECTOR	PP/PVDF/PVC/CPVC
10	O-RING	EPDM FPM
11	FACE O-RING	EPDM FPM
12	SIDE O-RING	EPDM FPM
13	CARRIER	PP/PVDF/PVC/CPVC
14	SUS BOLT	15A-50A : SUS 304 65A-100A : N/A
15	TAPER RING	PE

PP&PVDF

JIS

Parts Size	d	L	t	JIS 10K			H	MAX Working Pressure (kg/cm ²)
				D	C	n-h		
15A	15	143	14	95	70	4-15	55	10
20A	20	172	15	100	75	4-15	64	10
25A	25	187	16	125	90	4-19	72	10
30A	30	190	17	135	100	4-19	81	10
40A	40	212	17	140	105	4-19	92	10
50A	50	234	17	155	120	4-19	94	10
65A	65	259	19	175	140	4-19	116	10
80A	75	304	19	185	150	8-19	141	10
100A	100	374	19	210	175	8-19	175	10

ANSI

Parts Size	d	L	t	ANSI CLASS 150			H	MAX Working Pressure (kg/cm ²)
				D	C	n-h		
1/2"	0.59	5.55	0.55	3.50	2.38	4-0.63	2.17	10
3/4"	0.79	6.61	0.59	3.88	2.75	4-0.63	2.52	10
1"	0.98	7.32	0.63	4.25	3.12	4-0.63	3.83	10
1-1/4"	1.18	7.36	0.67	4.62	3.50	4-0.63	3.19	10
1-1/2"	1.57	8.27	0.67	5.00	3.88	4-0.63	3.62	10
2"	1.97	9.06	0.67	6.00	4.75	4-0.75	3.70	10
2-1/2"	2.56	10.12	0.75	7.00	5.50	4-0.75	4.57	10
3"	3.15	11.93	0.75	7.50	6.00	4-0.77	5.55	10
4"	3.94	14.57	0.75	9.00	7.50	8-0.77	6.89	10

PVC&CPVC

JIS

Parts Size	d	L	t	JIS 10K			H	MAX Working Pressure (kg/cm ²)
				D	C	n-h		
15A	15	143	14	95	70	4-15	55	10
20A	20	172	15	100	75	4-15	64	10
25A	25	187	16	125	90	4-19	72	10
30A	30	190	17	135	100	4-19	81	10
40A	40	212	17	140	105	4-19	92	10
50A	50	234	17	155	120	4-19	94	10
65A	65	259	19	175	140	4-19	116	10
80A	75	304	19	185	150	8-19	141	10
100A	100	372	19	210	175	8-19	175	10

ANSI

Parts Size	d	L	t	ANSI CLASS 150			H	MAX Working Pressure (kg/cm ²)
				D	C	n-h		
1/2"	0.59	5.71	0.55	3.50	2.38	4-0.63	2.17	10
3/4"	0.79	6.77	0.59	3.88	2.75	4-0.63	2.52	10
1"	0.98	7.48	0.63	4.25	3.12	4-0.63	3.83	10
1-1/4"	1.18	7.48	0.67	4.62	3.50	4-0.63	3.19	10
1-1/2"	1.57	8.39	0.67	5.00	3.88	4-0.63	3.62	10
2"	1.97	9.21	0.67	6.00	4.75	4-0.75	3.70	10
2-1/2"	2.56	10.28	0.75	7.00	5.50	4-0.75	4.57	10
3"	3.15	12.05	0.75	7.50	6.00	4-0.77	5.55	10
4"	3.94	14.72	0.75	9.00	7.50	8-0.77	6.89	10

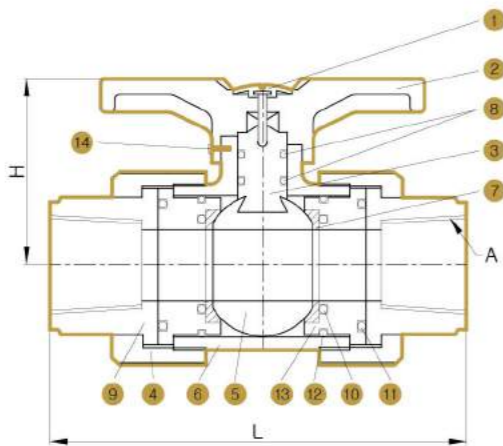
True Union Ball Valves

Thread Type

- Material : PVC, CPVC, PP, PVDF
- Size : 15mm - 100mm, ½" - 4"
- Pressure Rating : JIS 10kgf/cm², 150 PSI
- Seals (Seat) : PTFE
- O-Ring : EPDM or FPM
- Connections : PT Thread

Special Features

- Full Bore Type
- 뛰어난 내구성과 간편한 조작성
- Union 장착으로 교체 작업 용이
- 양방향 흐름 제어 가능
- STEM의 2중 O-RING 장착으로 기밀성 확보
- PTFE Seal 장착
- 다양한 Connections (Flange, Thread, Socket)



NO	PARTS	MATERIALS
1	HANDLE CAP BOLT	15A~50A : SS41(ABS COATED) 65A~100A : SS41(PP COATED)
2	HANDLE	PP
3	STEM	PP/PVDF/PVC/CPVC
4	GLAND CAP	PP/PVDF/PVC/CPVC
5	BALL	PP/PVDF/PVC/CPVC
6	BODY	PP/PVDF/PVC/CPVC
7	NIP SEAL	PTFE
8	STEM O-RING	EPDM FPM
9	END CONNECTOR	PP/PVDF/PVC/CPVC
10	O-RING	EPDM FPM
11	FACE O-RING	EPDM FPM
12	SIDE O-RING	EPDM FPM
13	CARRIER	PP/PVDF/PVC/CPVC
14	SUS BOLT	15A~50A : SUS 304 65A~100A : N/A



PP&PVDF

JIS

Size	Parts	L	H	unit : mm	
				JIS B 0203 A	MAX Working Pressure (kg/cm ²)
15A		100	55	PT 1/2"	10
20A		117	64	PT 3/4"	10
25A		133	72	PT 1"	10
30A		144	81	PT 1 1/4"	10
40A		168	92	PT 1 1/2"	10
50A		192	94	PT 2"	10
65A		206	116	PT 2 1/2"	10
80A		261	141	PT 3"	10
100A		362	175	PT 4"	10

PVC&CPVC

JIS

Size	Parts	L	H	unit : mm	
				JIS B 0203 A	MAX Working Pressure (kg/cm ²)
15A		103	55	PT 1/2"	10
20A		120	64	PT 3/4"	10
25A		137	72	PT 1"	10
30A		147	81	PT 1 1/4"	10
40A		173	92	PT 1 1/2"	10
50A		198	94	PT 2"	10
65A		214	116	PT 2 1/2"	10
80A		270	141	PT 3"	10
100A		368	175	PT 4"	10

True Union Ball Valves



Socket Type

- Material : PVC, CPVC, PP, PVDF
 - Size : 15mm - 100mm, 1/2" - 4"
 - Pressure Rating : JIS 10kgf/cm², 150 PSI
 - Seals (Seat) : PTFE
 - O-Ring : EPDM or FPM
 - Connections : Socket
-
- Full Bore Type
 - 뛰어난 내구성과 간편한 조작성
 - Union 장착으로 교체 작업 용이
 - 양방향 흐름 제어 가능
 - STEM의 2중 O-RING 장착으로 기밀성 확보
 - PTFE Seal 장착
 - 다양한 Connections (Flange, Thread, Socket)

Special Features

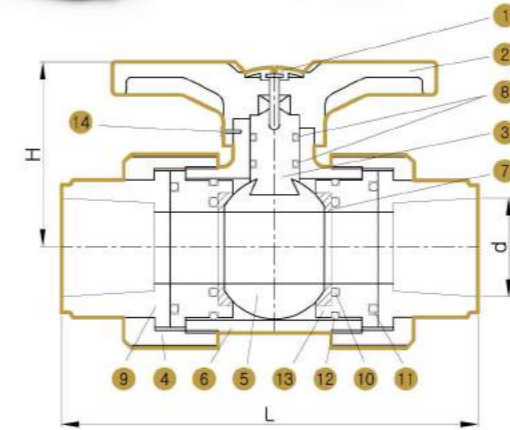
PP&PVDF

JIS

Size	Parts	d	L	H	MAX Working Pressure (kg/cm ²)
15A		22.4	113	55	10
20A		26.4	130	64	10
25A		32.4	156	72	10
30A		38.4	160	81	10
40A		48.4	186	92	10
50A		60.4	213	94	10
65A		76.6	237	116	10
80A		89.7	297	141	10
100A		114.7	362	175	10

ANSI

Size	Parts	d	L	H	MAX Working Pressure (kg/cm ²)
1/2"		0.848	4.449	2.165	10
3/4"		1.058	5.118	2.520	10
1"		1.325	6.142	2.835	10
1-1/4"		1.670	6.299	3.189	10
1-1/2"		1.912	7.323	3.622	10
2"		2.387	8.368	3.701	10
2-1/2"		2.889	9.331	4.567	10
3"		3.516	11.693	5.551	10
4"		4.518	14.252	6.890	10



NO	PARTS	MATERIALS
1	HANDLE CAP BOLT	15A~50A : SS41(ABS COATED) 65A~100A : SS41(PP COATED)
2	HANDLE	PP
3	STEM	PP/PVDF/PVC/CPVC
4	GLAND CAP	PP/PVDF/PVC/CPVC
5	BALL	PP/PVDF/PVC/CPVC
6	BODY	PP/PVDF/PVC/CPVC
7	NIP SEAL	PTFE
8	STEM O-RING	EPDM FPM
9	END CONNECTOR	PP/PVDF/PVC/CPVC
10	O-RING	EPDM FPM
11	FACE O-RING	EPDM FPM
12	SIDE O-RING	EPDM FPM
13	CARRIER	PP/PVDF/PVC/CPVC
14	SUS BOLT	15A~50A : SUS 304 65A~100A : N/A

PVC&CPVC

JIS

Size	Parts	d	L	H	MAX Working Pressure (kg/cm ²)
15A		22.4	114	55	10
20A		26.4	129	64	10
25A		32.4	156	72	10
30A		38.4	157	81	10
40A		48.4	190	92	10
50A		60.4	218	94	10
65A		76.6	242	116	10
80A		89.7	301	141	10
100A		114.7	370	175	10

ANSI

Size	Parts	d	L	H	MAX Working Pressure (kg/cm ²)
1/2"		0.848	4.488	2.165	10
3/4"		1.058	5.079	2.520	10
1"		1.325	6.142	2.835	10
1-1/4"		1.670	6.181	3.189	10
1-1/2"		1.912	7.480	3.622	10
2"		2.387	8.583	3.701	10
2-1/2"		2.889	9.528	4.567	10
3"		3.516	11.850	5.551	10
4"		4.518	14.567	6.890	10

3-Way Union Ball Valves

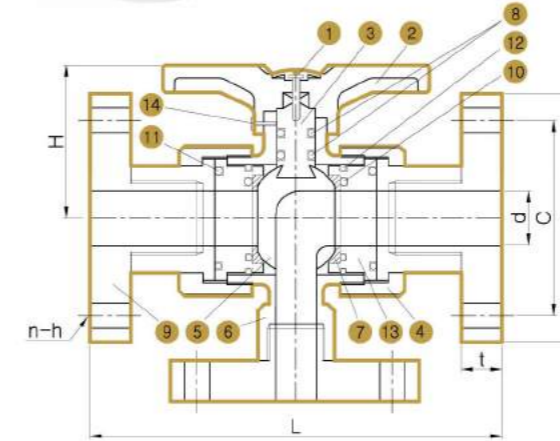


Flange Type

- Material : PVC, CPVC, PP, PVDF
- Size : 15mm - 50mm, 1/2" - 2"
- Pressure Rating : JIS 10kgf/cm², 150 PSI
- Seals (Seat) : PTFE
- O-Ring : EPDM or FPM
- Connections : ANSI 150 PSI Flanged
JIS 10kgf/cm² Flanged

Special Features

- L-PORT TYPE의 3-piece구조
- 뛰어난 내구성과 간편한 조작성
- 360° 회전 핸들로 좌,우 배관 선택 용이
- STEM의 2중 O-RING 장착으로 기밀성 확보
- PTFE Seal 장착
- 다양한 Connections (Flange, Thread, Socket)



NO	PARTS	MATERIALS
1	HANDLE CAP BOLT	SS41 (ABS COATED)
2	HANDLE	PP
3	STEM	PP/PVDF/PVC/CPVC
4	GLAND CAP	PP/PVDF/PVC/CPVC
5	BALL	PP/PVDF/PVC/CPVC
6	BODY	PP/PVDF/PVC/CPVC
7	NIP SEAL	PTFE
8	STEM O-RING	EPDM / FPM
9	END CONNECTOR	PP/PVDF/PVC/CPVC
10	O-RING	EPDM / FPM
11	FACE O-RING	EPDM / FPM
12	SIDE O-RING	EPDM / FPM
13	CARRIER	PP/PVDF/PVC/CPVC
14	SUS BOLT	SUS 304

PP&PVDF

JIS unit : mm

Parts Size	d	L	t	JIS 10K			H	MAX Working Pressure (kg/cm ²)
				D	C	n-h		
15A	12	133	14	95	70	4-15	55	10
20A	18	150	15	100	75	4-15	64	10
25A	23	163	15	125	90	4-19	72	10
30A	28	180	16	135	100	4-19	81	10
40A	37	200	16	140	105	4-19	92	10
50A	48	235	20	155	120	4-19	94	10

ANSI unit : inch

Parts Size	d	L	t	ANSI CLASS 150			H	MAX Working Pressure (kg/cm ²)
				D	C	n-h		
1/2"	0.47	5.24	0.55	3.50	2.38	4-0.63	2.17	10
3/4"	0.71	5.91	0.59	3.88	2.75	4-0.63	2.52	10
1"	0.91	6.42	0.59	4.25	3.12	4-0.63	2.83	10
1-1/4"	1.10	7.09	0.63	4.62	3.50	4-0.63	3.19	10
1-1/2"	1.46	7.87	0.63	5.00	3.88	4-0.63	3.62	10
2"	1.89	9.25	0.79	6.00	4.75	4-0.75	3.70	10

PVC&CPVC

JIS unit : mm

Parts Size	d	L	t	JIS 10K			H	MAX Working Pressure (kg/cm ²)
				D	C	n-h		
15A	12	133	14	95	70	4-15	55	10
20A	18	150	15	100	75	4-15	64	10
25A	23	168	15	125	90	4-19	72	10
30A	28	180	16	135	100	4-19	81	10
40A	37	205	16	140	105	4-19	92	10
50A	48	240	20	155	120	4-19	94	10

ANSI unit : inch

Parts Size	d	L	t	ANSI CLASS 150			H	MAX Working Pressure (kg/cm ²)
				D	C	n-h		
1/2"	0.47	5.24	0.55	3.50	2.38	4-0.63	2.17	10
3/4"	0.71	5.91	0.59	3.88	2.75	4-0.63	2.52	10
1"	0.91	6.61	0.59	4.25	3.12	4-0.63	2.83	10
1-1/4"	1.10	7.09	0.63	4.62	3.50	4-0.63	3.19	10
1-1/2"	1.46	8.07	0.63	5.00	3.88	4-0.63	3.62	10
2"	1.89	9.45	0.79	6.00	4.75	4-0.75	3.70	10

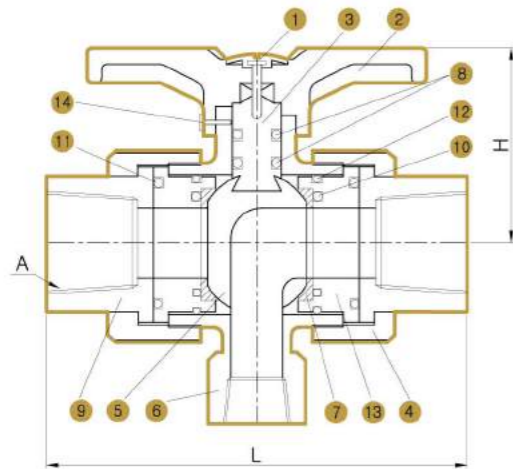
3-Way Union Ball Valves

Thread Type

- Material : PVC, CPVC, PP, PVDF
- Size : 15mm - 50mm, 1/2" - 2"
- Pressure Rating : JIS 10kgf/cm², 150 PSI
- Seals (Seat) : PTFE
- O-Ring : EPDM or FPM
- Connections : PT Thread

Special Features

- L-PORT TYPE의 3-piece구조
- 뛰어난 내구성과 간편한 조작성
- 360° 회전 핸들로 좌,우 배관 선택 용이
- STEM의 2중 O-RING 장착으로 기밀성 확보
- PTFE Seal 장착
- 다양한 Connections (Flange, Thread, Socket)



NO	PARTS	MATERIALS
1	HANDLE CAP BOLT	SS41 (ABS COATED)
2	HANDLE	PP
3	STEM	PP/PVDF/PVC/CPVC
4	GLAND CAP	PP/PVDF/PVC/CPVC
5	BALL	PP/PVDF/PVC/CPVC
6	BODY	PP/PVDF/PVC/CPVC
7	NIP SEAL	PTFE
8	STEM O-RING	EPDM / FPM
9	END CONNECTOR	PP/PVDF/PVC/CPVC
10	O-RING	EPDM / FPM
11	FACE O-RING	EPDM / FPM
12	SIDE O-RING	EPDM / FPM
13	CARRIER	PP/PVDF/PVC/CPVC
14	SUS BOLT	SUS 304

PP&PVDF

JIS

Size	Parts	L	H	JIS B 0203 A	MAX Working Pressure (kg/cm ²)
15A		102	55	PT 1/2"	10
20A		117	64	PT 3/4"	10
25A		135	72	PT 1"	10
30A		148	81	PT 1 1/4"	10
40A		170	92	PT 1 1/2"	10
50A		196	94	PT 2"	10

PVC&CPVC

JIS

Size	Parts	L	H	JIS B 0203 A	MAX Working Pressure (kg/cm ²)
15A		104	55	PT 1/2"	10
20A		120	64	PT 3/4"	10
25A		137	72	PT 1"	10
30A		150	81	PT 1 1/4"	10
40A		171	92	PT 1 1/2"	10
50A		200	94	PT 2"	10



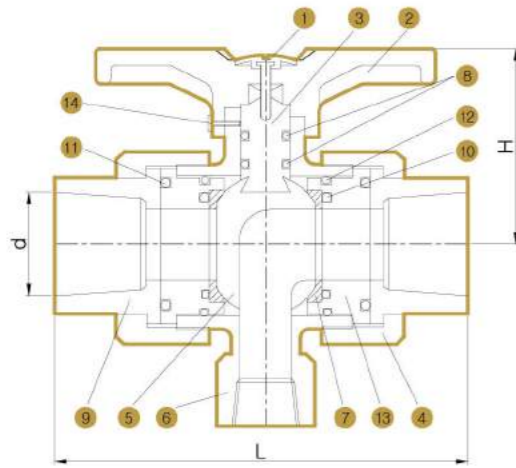
3-Way Union Ball Valves

Socket Type

- Material : PVC, CPVC, PP, PVDF
- Size : 15mm - 50mm, 1/2" - 2"
- Pressure Rating : JIS 10kgf/cm², 150 PSI
- Seals (Seat) : PTFE
- O-Ring : EPDM or FPM
- Connections : Socket

Special Features

- L-PORT TYPE의 3-piece구조
- 뛰어난 내구성과 간편한 조작성
- 360° 회전 핸들로 좌,우 배관 선택 용이
- STEM의 2중 O-RING 장착으로 기밀성 확보
- PTFE Seal 장착
- 다양한 Connections (Flange, Thread, Socket)



NO	PARTS	MATERIALS
1	HANDLE CAP BOLT	SS41 (ABS COATED)
2	HANDLE	PP
3	STEM	PP/PVDF/PVC/CPVC
4	GLAND CAP	PP/PVDF/PVC/CPVC
5	BALL	PP/PVDF/PVC/CPVC
6	BODY	PP/PVDF/PVC/CPVC
7	NIP SEAL	PTFE
8	STEM O-RING	EPDM / FPM
9	END CONNECTOR	PP/PVDF/PVC/CPVC
10	O-RING	EPDM / FPM
11	FACE O-RING	EPDM / FPM
12	SIDE O-RING	EPDM / FPM
13	CARRIER	PP/PVDF/PVC/CPVC
14	SUS BOLT	SUS 304

PP&PVDF

JIS

		unit : mm			
Size	Parts	d	L	H	MAX Working Pressure (kg/cm ²)
15A		22.4	114	55	10
20A		26.4	130	64	10
25A		32.4	159	72	10
30A		38.4	160	81	10
40A		48.4	188	92	10
50A		60.4	216	94	10

PVC&CPVC

JIS

		unit : mm			
Size	Parts	d	L	H	MAX Working Pressure (kg/cm ²)
15A		22.4	115	55	10
20A		26.4	130	64	10
25A		32.4	159	72	10
30A		38.4	160	81	10
40A		48.4	191	92	10
50A		60.4	220	94	10

ANSI

		unit : inch			
Size	Parts	d	L	H	MAX Working Pressure (kg/cm ²)
1/2"		0.848	4.53	2.17	10
3/4"		1.058	5.12	2.52	10
1"		1.325	6.26	2.83	10
1-1/4"		1.670	6.30	3.19	10
1-1/2"		1.912	7.52	3.62	10
2"		2.387	8.66	3.70	10



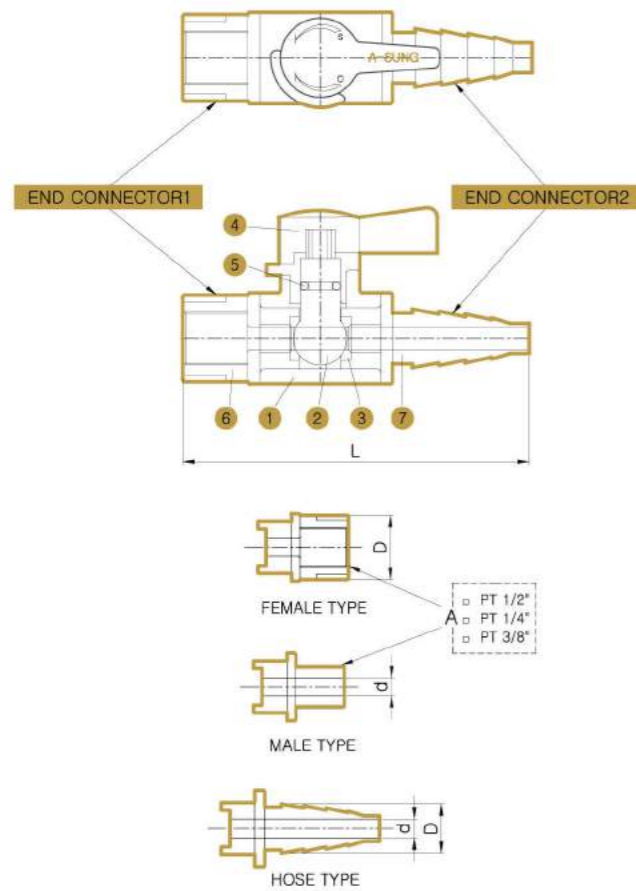
Lab Cock Valves

- Material : PVC
- Size : 6mm - 13mm, 1/4" - 3/8"
- Pressure Rating : JIS 10kgf/cm², 150 PSI
- Seals (Seat) : EPDM
- O-Ring : EPDM

- Connections
 Hose : 6mm(1/4")
 Male Thread : PT 1/4", PT 3/8", PT 1/2"
 Female Thread : PT 1/4", PT 3/8"

Special Features

- Full Port
- 간편한 조작성
- 양방향 흐름 제어 가능
- Ball Valve 종류에서 가장 작은 Size로 제작
- 다양한 형태의 Connections



NO	PARTS	MATERIALS
1	BODY	PVC
2	BALL & STEM	PVC
3	NIP SEAL	EPDM
4	HANDLE	PP
5	O-RING	EPDM
6	END CONNECTOR 1	PVC
7	END CONNECTOR 2	PVC

PVC

Parts Type	D	d	L	unit : mm	
				MAX Working Pressure (kg/cm ²)	
FEMALE + FEMALE	23	N/A	71	3	
FEMALE + MALE	23	6	71	3	
MALE + MALE	N/A	6	71	3	
FEMALE + HOSE	16	6	91	3	
MALE + HOSE	16	6	91	3	
HOSE + HOSE	16	6	111	3	



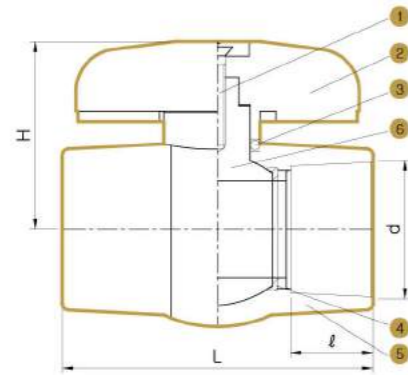
Compact Ball Valves

Socket Type

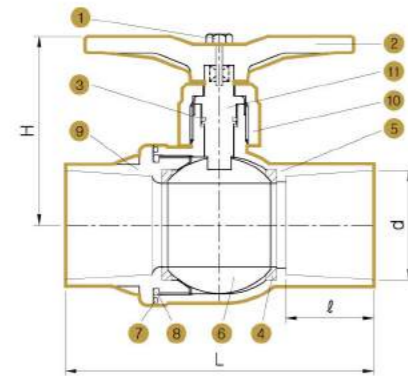
- Material : PVC
- Size : 13mm - 150mm, 3/8" - 6"
- Pressure Rating : JIS 10kgf/cm², 150 PSI
- Seals (Seat) : PE
- O-Ring : EPDM
- Connections : Socket

Special Features

- Full Bore Type
- 뛰어난 내구성과 간편한 조작성
- 양방향 흐름 제어 가능
- 수도용으로 사용 적합 (공업용 부적합)



13A ~ 50A



65A ~ 150A

NO	PARTS	MATERIALS
1	HANDLE PIN BOLT	SS41 (ABS COATED)
2	HANDLE	PP
3	O-RING	EPDM
4	NIP SEAL	PLASTOMER
5	BODY	PVC
6	BALL	PVC

NO	PARTS	MATERIALS
1	HANDLE PIN BOLT	SS41 (PP COATED)
2	HANDLE	PP
3	O-RING	EPDM
4	NIP SEAL	PE
5	BODY	PVC
6	BALL	PVC
7	SIDE O-RING	EPDM
8	FACE O-RING	EPDM
9	BODY CAP	PVC
10	GRAND CAP	PP
11	STEM	PVC

PVC

JIS

unit : mm

Size	d	L	φ	H	MAX Working Pressure (kg/cm ²)
13A	18.4	68	20	32	5
15A	22.4	84	23	43	5
20A	26.4	96	28	55	5
25A	32.4	106	29	66	5
30A	38.4	112	31	66	5
40A	48.4	130	33	75	5
50A	60.4	146	38	89	5
65A	76.6	270	69	170	5
80A	89.7	280	72	170	5
100A	114.7	333	94	182	5
125A	141.2	396	112	230	5
150A	166.3	450	140	230	5



Diaphragm Valves

Thermo Plastic Valves



Diaphragm Valves

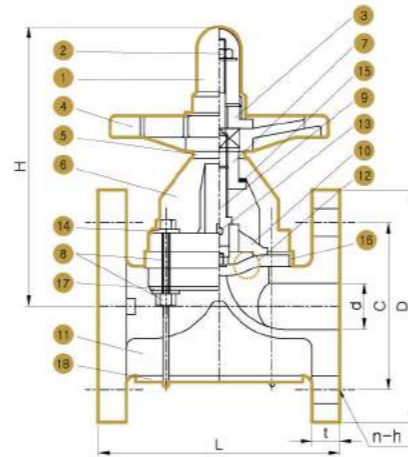
Flange Type

- Material - Body : PVC, CPVC, PP, PVDF
- Material - Bonnet : PVC, CPVC, PP, PVDF
- Size : 15mm - 250mm, 1/2" - 10"
- Pressure Rating : JIS 10kgf/cm², 150 PSI
- O-Ring : EPDM or FPM
- Diaphragm : EPDM, FPM, EPDM+PTFE, EPDM+PVDF+PTFE
- Connections : ANSI 150 PSI Flanged, JIS 10kgf/cm² Flanged

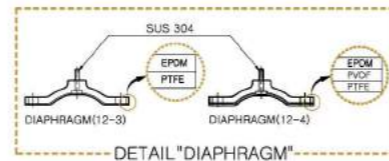
Special Features

- 상하 작동 방식으로 유량조절 가능
- 뛰어난 내구성과 편리한 핸들 조작
- 슬러지나 점액성 유체 Line에 우수한 성능 발휘
- GAUGE CAP 장착으로 개폐 상태 확인 용이
- 다양한 종류의 DIAPHRAGM 격막 재질 적용 가능
- Actuator 설치 가능

NO	PARTS	MATERIALS
1	GAUGE CAP	ACRYL
2	STOPPER NUTS	SS41 (PLATING : Zn)
3	LOCK NUT	PP
4	HAND WHEEL	PP
5	THRUST WASHER	PVC
6	BONNET	PP/PVDF/PVC/CPVC
7	SLEEVE	BC
8	BOLT & NUT	SS41 (PP COATED) SUS 304
9	STEM & STUD BOLT UNIT	BC + SS41 (PLATING : Zn)
10	COMPRESSOR	AL
11	BODY	PP/PVDF/PVC/CPVC
12-1	DIAPHRAGM	EPDM
12-2		FPM
12-3		EPDM + PTFE
12-4		EPDM + PVDF + PTFE
13	PIN	SCM
14	WASHER	SUS 304
15	PTFE RING	PTFE N/A
16	DIAPHRAGM COVER PLATE	SUS 304
17	SUS PLATE	SUS 304 N/A
18	SUS LINER	SUS 304 N/A



15A ~ 25A



PP&PVDF

JIS

Size	Parts	d	L	t	JIS 10K			H	MAX Working Pressure(kgf/cm ²)	
					D	C	n-h		RUBBER DIAPHRAGM (12-1, 12-2)	PTFE DIAPHRAGM (12-3, 12-4)
15A		16	112	13.0	95	70	4-15	95	10	10
20A		20	121	14.5	100	75	4-15	100	10	10
25A		25	132	14.5	125	90	4-19	110	10	10
30A		40	181	17.5	135	100	4-19	181	10	10
40A		40	181	17.5	140	105	4-19	181	10	10
50A		52	211	21.0	155	120	4-19	220	10	10
65A		67	251	22.0	175	140	4-19	260	10	10
80A		78	281	22.0	185	150	8-19	270	10	10
100A		100	342	25.0	210	175	8-19	300	10	10
125A		125	414	27.0	250	210	8-23	420	7.5	7.5
150A		145	482	28.5	280	240	8-23	475	7.5	5
200A		194	572	35.0	330	290	12-23	630	5	4
250A		247	687	35.0	400	355	12-25	700	5	4

ANSI

Size	Parts	d	L	t	ANSI CLASS 150			H	MAX Working Pressure(kgf/cm ²)	
					D	C	n-h		RUBBER DIAPHRAGM (12-1, 12-2)	PTFE DIAPHRAGM (12-3, 12-4)
1/2"		0.63	4.41	0.51	3.50	2.38	4-0.63	3.74	10	10
3/4"		0.79	4.76	0.57	3.88	2.75	4-0.63	3.94	10	10
1"		0.98	5.20	0.57	4.25	3.12	4-0.63	4.33	10	10
1-1/4"		0.98	5.20	0.57	4.62	3.50	4-0.63	4.33	10	10
1-1/2"		1.57	7.13	0.69	5.00	3.88	4-0.63	7.13	10	10
2"		2.05	8.31	0.83	6.00	4.75	4-0.75	8.66	10	10
2-1/2"		2.64	9.88	0.87	7.00	5.50	4-0.75	10.24	10	10
3"		3.07	11.06	0.87	7.50	6.00	4-0.75	10.63	10	10
4"		3.94	13.46	0.98	9.00	7.50	8-0.75	11.81	10	10
5"		4.92	16.30	1.06	10.00	8.50	8-0.87	16.54	7.5	7.5
6"		5.71	18.98	1.12	11.00	9.50	8-0.87	18.70	7.5	5
8"		7.64	22.52	1.38	13.50	11.75	8-0.87	24.80	5	4
10"		9.72	27.05	1.38	16.00	14.25	12-0.98	27.56	5	4



Diaphragm Valves

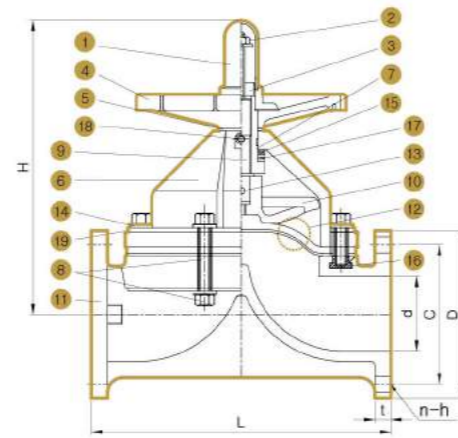
Flange Type

- Material - Body : PVC, CPVC, PP, PVDF
- Material - Bonnet : PVC, CPVC, PP, PVDF
- Size : 15mm - 250mm, 1/2" - 10"
- Pressure Rating : JIS 10kgf/cm², 150 PSI
- O-Ring : EPDM or FPM
- Diaphragm : EPDM, FPM, EPDM+PTFE, EPDM+PVDF+PTFE
- Connections : ANSI 150 PSI Flanged, JIS 10kgf/cm² Flanged

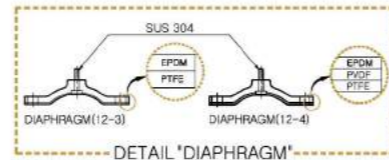
Special Features

- 상하 작동 방식으로 유량조절 가능
- 뛰어난 내구성과 편리한 핸들 조작
- 슬러지나 점액성 유체 Line에 우수한 성능 발휘
- GAUGE CAP 장착으로 개폐 상태 확인 용이
- 다양한 종류의 DIAPHRAGM 격막 재질 적용 가능
- Actuator 설치 가능

NO	PARTS	MATERIALS
1	GAUGE CAP	ACRYL
2	STOPPER NUTS	SS41 (PLATING : Zn)
3	LOCK NUT	PP
4	HAND WHEEL	PP
5	THRUST WASHER	PVC
6	BONNET	PP/PVDF/PVC/CPVC
7	SLEEVE	FC (PLATING : Zn)
8	BOLT & NUT	SS41 (PP COATED) SUS 304
9	STEM	S45C (PLATING : Zn)
10	COMPRESSOR	40A - 50A : AL 65A - 250A : FCD
11	BODY	PP/PVDF/PVC/CPVC
12-1	DIAPHRAGM	EPDM
12-2		FPM
12-3		EPDM + PTFE
12-4		EPDM + PVDF + PTFE
13	PIN	SCM
14	WASHER	SUS 304
15	PTFE RING	PTFE N/A
16	INSERTED NUT	BC
17	THRUST BALL BEARING	40A - 80A : N/A 100A - 250A : STANDARDIZED
18	GREASE NIPPLE	40A - 80A : N/A 100A - 250A : BC
19	SUS PLATE	SUS 304 N/A



30A ~ 250A



DETAIL "DIAPHRAGM"



PVC&CPVC

JIS

Size	Parts	d	L	t	JIS 10K			H	MAX Working Pressure(kg/cm ²)	
					D	C	n-h		RUBBER DIAPHRAGM (12-1, 12-2)	PTFE DIAPHRAGM (12-3, 12-4)
15A		16	113	13.0	95	70	4-15	95	10	10
20A		20	123	15.0	100	75	4-15	100	10	10
25A		25	133	15.0	125	90	4-19	110	10	10
30A		40	183	17.0	135	100	4-19	181	10	10
40A		40	183	17.0	140	105	4-19	181	10	10
50A		52	214	20.0	155	120	4-19	220	10	10
65A		67	255	21.0	175	140	4-19	260	10	10
80A		78	285	22.0	185	150	8-19	270	10	10
100A		100	347	21.5	210	175	8-19	300	10	10
125A		125	415	25.0	250	210	8-23	420	7.5	7.5
150A		145	486	28.0	280	240	8-23	475	7.5	5
200A		194	575	34.0	330	290	12-23	630	5	4

unit : mm

ANSI

Size	Parts	d	L	t	ANSI CLASS 150			H	MAX Working Pressure(kg/cm ²)	
					D	C	n-h		RUBBER DIAPHRAGM (12-1, 12-2)	PTFE DIAPHRAGM (12-3, 12-4)
1/2"		0.63	4.45	0.51	3.50	2.38	4-0.63	3.74	10	10
3/4"		0.79	4.84	0.59	3.88	2.75	4-0.63	3.94	10	10
1"		0.98	5.24	0.59	4.25	3.12	4-0.63	4.33	10	10
1-1/4"		0.98	5.24	0.59	4.62	3.50	4-0.63	4.33	10	10
1-1/2"		1.57	7.20	0.67	5.00	3.88	4-0.63	7.13	10	10
2"		2.05	8.43	0.79	6.00	4.75	4-0.75	8.66	10	10
2-1/2"		2.64	10.04	0.83	7.00	5.50	4-0.75	10.24	10	10
3"		3.07	11.22	0.87	7.50	6.00	4-0.75	10.63	10	10
4"		3.94	13.66	0.85	9.00	7.50	8-0.75	11.81	10	10
5"		4.92	16.34	0.98	10.00	8.50	8-0.87	16.54	7.5	7.5
6"		5.71	19.13	1.10	11.00	9.50	8-0.87	18.70	7.5	5
8"		7.64	22.64	1.34	13.50	11.75	8-0.87	24.80	5	4

unit : inch

Diaphragm Valves

Thread Type

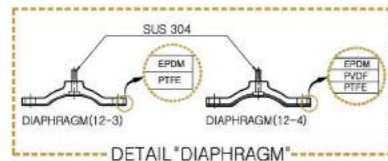
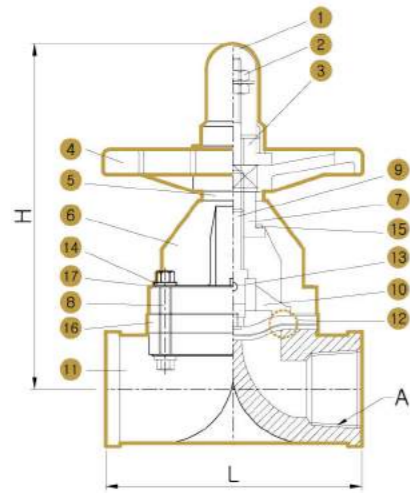
- Material - Body : PVC, CPVC, PP, PVDF
- Material - Bonnet : PVC, CPVC, PP, PVDF
- Size : 15mm - 25mm, 1/2" - 1"
- Pressure Rating : JIS 10kgf/cm², 150 PSI

Special Features

- 상하 작동 방식으로 유량조절 가능
- 뛰어난 내구성과 편리한 핸들 조작
- 슬러지나 점액성 유체 Line에 우수한 성능 발휘

- O-Ring : EPDM or FPM
- Diaphragm : EPDM, FPM, EPDM+PTFE, EPDM+PVDF+PTFE
- Connections : PT Thread

- GAUGE CAP 장착으로 개폐 상태 확인 용이
- 다양한 종류의 DIAPHRAGM 격막 재질 적용 가능
- Actuator 설치 가능



NO	PARTS	MATERIALS
1	GAUGE CAP	ACRYL
2	STOPPER NUTS	SS41 (PLATING : Zn)
3	LOCK NUT	PP
4	HAND WHEEL	PP
5	THRUST WASHER	PVC
6	BONNET	PP / PVDF / PVC / CPVC
7	SLEEVE	BC
8	BOLT & NUT	SS41 (PP COATED) SUS 304
9	STEM & STUD BOLT UNIT	BC + SS41 (PLATING : Zn)
10	COMPRESSOR	AL
11	BODY	PP / PVDF / PVC / CPVC
12 -1	DIAPHRAGM	EPDM
12 -2		FPM
12 -3		EPDM + PTFE
12 -4		EPDM + PVDF + PTFE
13	PIN	SCM
14	WASHER	SUS 304
15	PTFE RING	PTFE N/A
16	DIAPHRAGM COVER PLATE	SUS 304
17	SUS PLATE	SUS 304 N/A

PP&PVDF

JIS		unit : mm			
Parts	L	H	JIS B 0203 A	MAX Working Pressure (kg/cm ²)	
Size					
15A	81	138	PT 1/2"	7.5	
20A	95	140	PT 3/4"	7.5	
25A	106	148	PT 1"	7.5	

PVC&CPVC

JIS		unit : mm			
Parts	L	H	JIS B 0203 A	MAX Working Pressure (kg/cm ²)	
Size					
15A	82	138	PT 1/2"	7.5	
20A	95	140	PT 3/4"	7.5	
25A	109	148	PT 1"	7.5	



New Diaphragm Valves

Flange Type

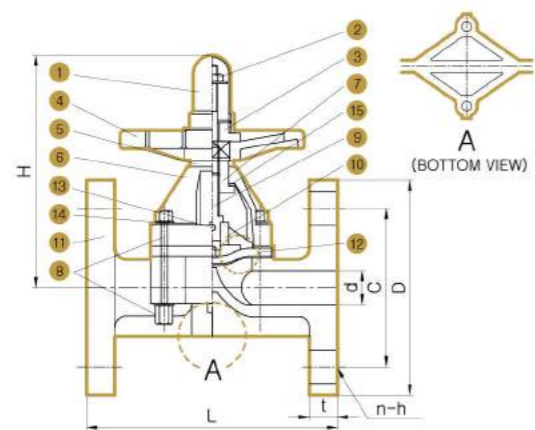
- Material - Body : PVC, CPVC, PP, PVDF
- Material - Bonnet : PVC, CPVC, PP, PVDF
- Size : 15mm - 100mm, 1/2" - 4"
- Pressure Rating : JIS 10kgf/cm², 150 PSI
- O-Ring : EPDM or FPM

Special Features

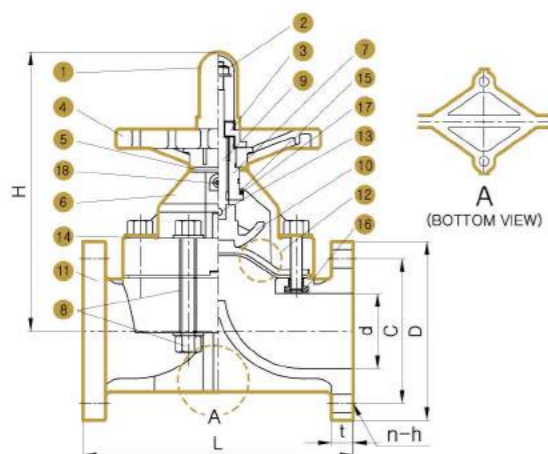
- 상하 작동 방식으로 유량조절 가능
- 뛰어난 내구성과 편리한 핸들 조작
- 슬러지나 점액성 유체 Line에 우수한 성능 발휘
- 세련된 design

- Diaphragm : EPDM, FPM, EPDM+PTFE, EPDM+PVDF+PTFE
- Connections : ANSI 150 PSI Flanged, JIS 10kgf/cm² Flanged

- GAUGE CAP 장착으로 개폐 상태 확인 용이
- 다양한 종류의 DIAPHRAGM 격막 재질 적용 가능
- Actuator 설치 가능



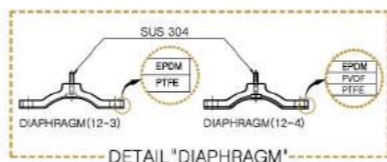
15A ~ 30A



40A ~ 100A

NO	PARTS	MATERIALS
1	GAUGE CAP	ACRYL
2	STOPPER NUTS	SS41 (PLATING : Zn)
3	LOCK NUT	PP
4	HAND WHEEL	PP
5	THRUST WASHER	PVC
6	BONNET	PP/PVDF/PVC/CPVC
7	SLEEVE	BC
8	BOLT & NUT	SS41 (PP COATED) SUS 304
9	STEM + STUD BOLT UNIT	BC + SS41 (PLATING : Zn)
10	COMPRESSOR	AL
11	BODY	PP/PVDF/PVC/CPVC
12-1	DIAPHRAGM	EPDM
12-2		FPM
12-3		EPDM + PTFE
12-4		EPDM + PVDF + PTFE
13	PIN	SCM
14	WASHER	SUS 304
15	PTFE RING	PTFE N/A

NO	PARTS	MATERIALS
1~6, 8~15		15A ~ 30A와 동일
7	SLEEVE	FC (Plating : Zn)
16	INSERTED NUT	BC
17	THRUST BEARING	40A~80A : N/A 100A : STANDARDIZE
18	GREASE NIPPLE	40A~50A : N/A 65A~100A : BC



PP&PVDF

JIS

Size	Parts	d	L	t	JIS 10K			H	MAX Working Pressure (kg/cm ²)
					D	C	n-h		
15A		16	111	13.0	95	70	4-15	132	10
20A		20	120	14.5	100	75	4-15	133	10
25A		25	131	14.5	125	90	4-19	139	10
30A		32	143	17.5	135	100	4-19	149	10
40A		40	181	17.5	140	105	4-19	210	10
50A		52	211	21.0	155	120	4-19	233	10
65A		67	251	22.0	175	140	4-19	265	10
80A		78	281	22.0	185	150	8-19	289	10
100A		100	340	25.0	210	175	8-19	372	10

PVC&CPVC

JIS

Size	Parts	d	L	t	JIS 10K			H	MAX Working Pressure (kg/cm ²)
					D	C	n-h		
15A		16	113	13.5	95	70	4-15	132	10
20A		20	122	14.0	100	75	4-15	133	10
25A		25	133	14.5	125	90	4-19	139	10
30A		32	146	17.0	135	100	4-19	149	10
40A		40	183	17.0	140	105	4-19	210	10
50A		52	214	21.0	155	120	4-19	233	10
65A		67	255	22.0	175	140	4-19	265	10
80A		78	285	23.0	185	150	8-19	289	10
100A		100	345	24.0	210	175	8-19	372	10

True Union Diaphragm Valves

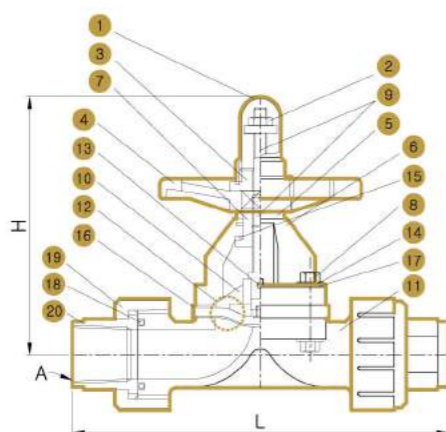
Thread Type

- Material - Body : PVC, CPVC, PP, PVDF
- Material - Bonnet : PVC, CPVC, PP, PVDF
- Size : 15mm - 50mm, 1/2" - 2"
- Pressure Rating : JIS 10kgf/cm², 150 PSI

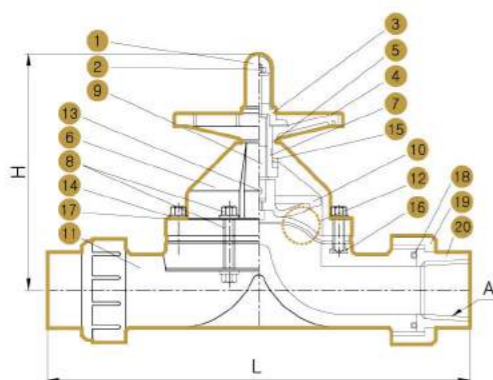
- O-Ring : EPDM or FPM
- Diaphragm : EPDM, FPM, EPDM+PTFE, EPDM+PVDF+PTFE
- Connections : PT Thread

Special Features

- 상하 작동 방식으로 유량조절 가능
- 뛰어난 내구성과 편리한 핸들 조작
- 슬러지나 점액성 유체 Line에 우수한 성능 발휘
- Union 장착으로 교체 작업 용이
- GAUGE CAP 장착으로 개폐 상태 확인 용이
- 다양한 종류의 DIAPHRAGM 격막 재질 적용 가능
- 유량 조절 가능
- 다양한 Connections (Thread, Socket)
- Actuator 설치 가능

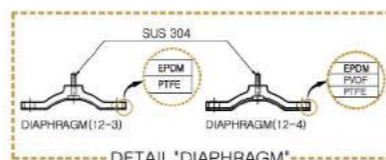


15A ~ 30A



40A ~ 50A

NO	PARTS	MATERIALS
1	GAUGE CAP	ACRYL
2	STOPPER NUTS	SS41 (PLATING : Zn)
3	LOCK NUT	PP
4	HAND WHEEL	PP
5	THRUST WASHER	PVC
6	BONNET	PP/PVDF/PVC/CPVC
7	SLEEVE	BC
8	BOLT & NUT	SS41 (PP COATED) SUS 304
9	STEM + STUD BOLT UNIT	BC + SS41 (Plating : Zn)
10	COMPRESSOR	AL
11	BODY	PP/PVDF/PVC/CPVC
12-1	DIAPHRAGM	EPDM
12-2		FPM
12-3		EPDM + PTFE
12-4		EPDM + PVDF + PTFE
13	PIN	SCM
14	WASHER	SUS 304
15	PTFE RING	N/A
16 (15A~30A)	DIAPHRAGM COVER PLATE	SUS 304
16 (40A~50A)	INSERTED NUT	BC
17	SUS PLATE	SUS 304
18	O-RING(A)	EPDM FPM
19	GLAND CAP	PP/PVDF/PVC/CPVC
20	END CONNECTOR	PP/PVDF/PVC/CPVC



PP&PVDF

JIS

Size	Parts	L	H	unit : mm	
				JIS B 0203 A	MAX Working Pressure (kg/cm ²)
15A		140	95	PT 1/2"	7.5
20A		158	100	PT 3/4"	7.5
25A		180	110	PT 1"	7.5
40A		267	195	PT 1 1/2"	7.5
50A		310	210	PT 2"	7.5

PVC&CPVC

JIS

Size	Parts	L	H	unit : mm	
				JIS B 0203 A	MAX Working Pressure (kg/cm ²)
15A		141	95	PT 1/2"	7.5
20A		159	100	PT 3/4"	7.5
25A		182	110	PT 1"	7.5
40A		270	195	PT 1 1/2"	7.5
50A		310	210	PT 2"	7.5

ANSI

Size	Parts	L	H	unit : inch	
				ANSI/ASME B1.20.1 A	MAX Working Pressure (kg/cm ²)
1/2"		5.55	3.74	NPT 1/2"	7.5
3/4"		6.26	3.94	NPT 3/4"	7.5
1"		7.17	4.33	NPT 1"	7.5
1-1/4"		7.28	5.69	NPT 1 1/4"	7.5
1-1/2"		10.63	7.68	NPT 1 1/2"	7.5
2"		12.20	8.27	NPT 2"	7.5

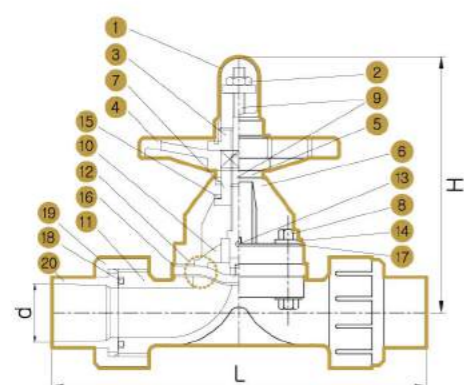
True Union Diaphragm Valves

Socket Type

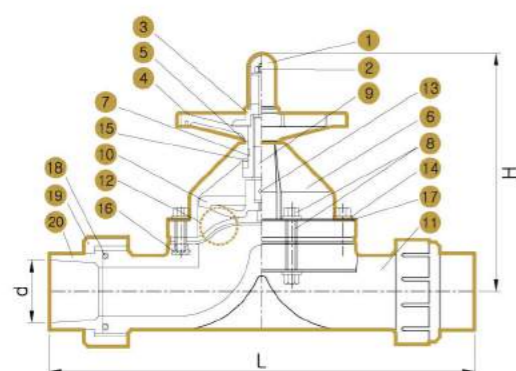
- Material - Body : PVC, CPVC, PP, PVDF
- Material - Bonnet : PVC, CPVC, PP, PVDF
- Size : 15mm - 50mm, 1/2" - 2"
- Pressure Rating : JIS 10kgf/cm², 150 PSI
- O-Ring : EPDM or FPM
- Diaphragm : EPDM, FPM, EPDM+PTFE, EPDM+PVDF+PTFE
- Connections : Socket

Special Features

- 상하 작동 방식으로 유량조절 가능
- 뛰어난 내구성과 편리한 핸들 조작
- 슬러지나 점액성 유체 Line에 우수한 성능 발휘
- Union 장착으로 교체 작업 용이
- GAUGE CAP 장착으로 개폐 상태 확인 용이
- 다양한 종류의 DIAPHRAGM 격막 재질 적용 가능
- 유량 조절 가능
- 다양한 Connections (Thread, Socket)
- Actuator 설치 가능

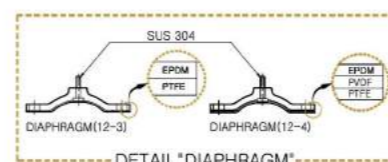


15A ~ 30A



40A ~ 50A

NO	PARTS	MATERIALS
1	GAUGE CAP	ACRYL
2	STOPPER NUTS	SS41 (PLATING : Zn)
3	LOCK NUT	PP
4	HAND WHEEL	PP
5	THRUST WASHER	PVC
6	BONNET	PP/PVDF/PVC/CPVC
7	SLEEVE	BC
8	BOLT & NUT	SS41 (PP COATED) SUS 304
9	STEM + STUD BOLT UNIT	BC + SS41 (Plating : Zn)
10	COMPRESSOR	AL
11	BODY	PP/PVDF/PVC/CPVC
12-1	DIAPHRAGM	EPDM
12-2		FPM
12-3		EPDM + PTFE
12-4		EPDM + PVDF + PTFE
13	PIN	SCM
14	WASHER	SUS 304
15	PTFE RING	N/A
16 (15A-30A)	DIAPHRAGM COVER PLATE	SUS 304
16 (40A-50A)	INSERTED NUT	BC
17	SUS PLATE	SUS 304
		N/A
18	O-RING(A)	EPDM FPM
19	GLAND CAP	PP/PVDF/PVC/CPVC
20	END CONNECTOR	PP/PVDF/PVC/CPVC



PP&PVDF

JIS

Parts		unit : mm			
Size	d	L	H	MAX Working Pressure (kg/cm ²)	
15A	22.4	150	95	7.5	
20A	26.9	168	100	7.5	
25A	32.4	203	110	7.5	
40A	48.4	285	195	7.5	
50A	60.4	323	210	7.5	

PVC&CPVC

JIS

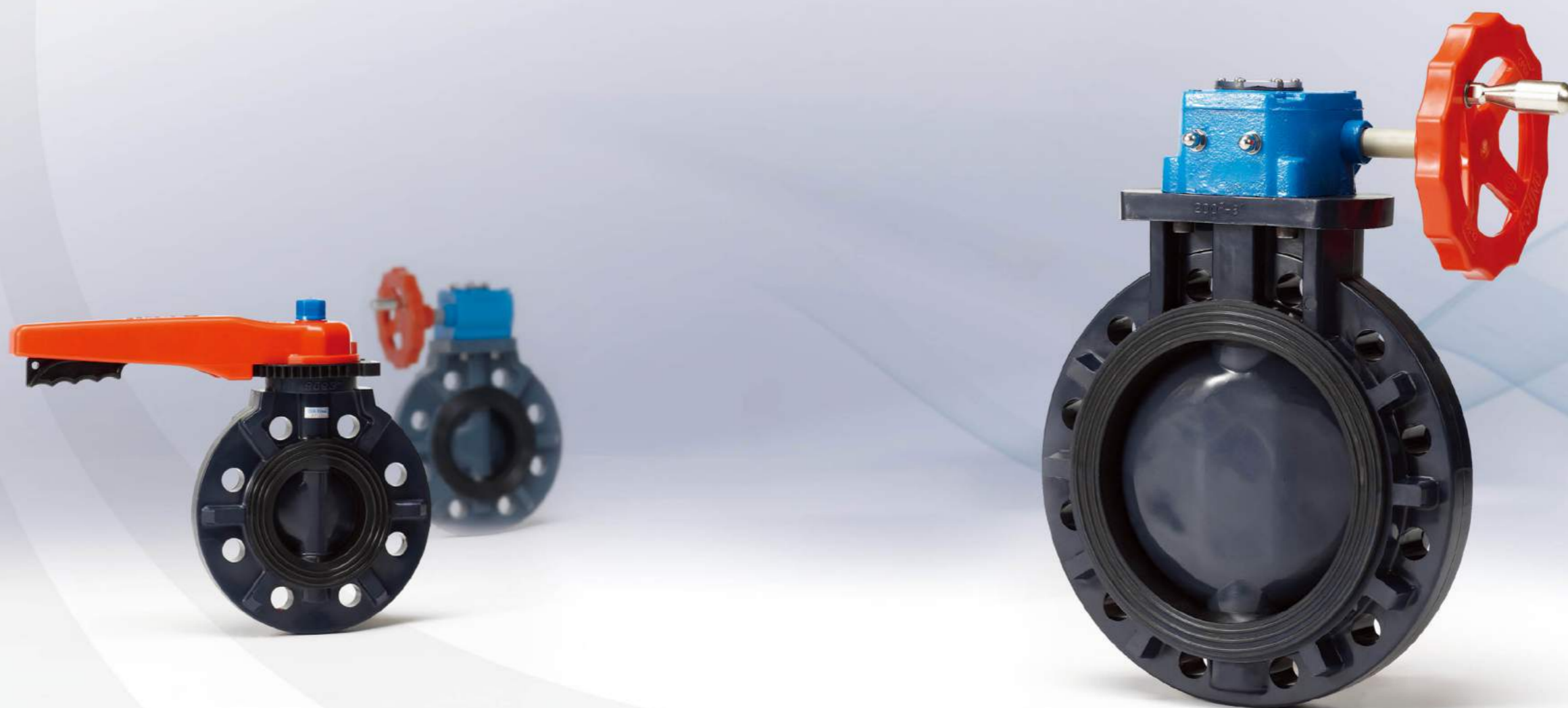
Parts		unit : mm			
Size	d	L	H	MAX Working Pressure (kg/cm ²)	
15A	22.4	152	95	7.5	
20A	26.4	170	100	7.5	
25A	32.4	203	110	7.5	
40A	48.4	288	195	7.5	
50A	60.4	330	210	7.5	

ANSI

Parts		unit : inch			
Size	d	L	H	MAX Working Pressure (kg/cm ²)	
1/2"	0.848	5.98	3.74	7.5	
3/4"	1.058	6.69	3.94	7.5	
1"	1.325	7.99	4.33	7.5	
1-1/4"	1.670	7.99	5.69	7.5	
1-1/2"	1.912	11.34	7.68	7.5	
2"	2.387	12.99	8.27	7.5	

Butterfly Valves

Thermo Plastic Valves





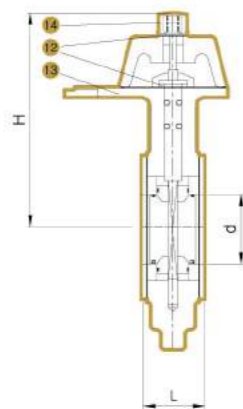
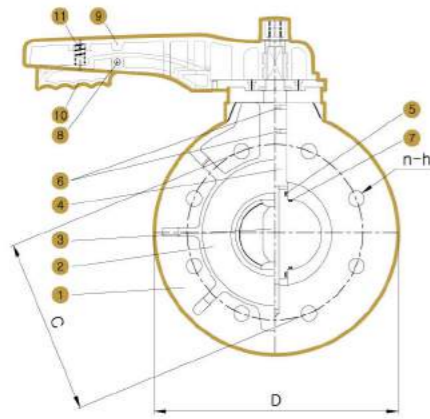
Butterfly Valves

Lever Type

- **Material** : Body/Disc
PP/PP, PP/CPVC,
PP/PVDF, PVDF/PVDF
- **Size** : 40mm - 150mm, 1½" - 6"
Lever Handle
- **Pressure Rating** : JIS 10kgf/cm², 150 PSI
- **Seat** : EPDM or FPM
- **Connections** : ANSI 150 PSI
JIS 10kgf/cm²

Special Features

- 협소한 장소에 설치 가능하도록 제작
- 유체의 통로가 배관과 일직선으로 유량 및 압력 유지
- DISC 유동 손실을 최소화 하도록 설계
- Lever(소,중구경), Gear(소,중,대구경) Type Operator 장착
- 600mm, 24" Size까지 제작
- Actuator 설치 가능



NO	PARTS	MATERIALS
1	BODY	PP / PVDF
2	SEAT	EPDM FPM
3	DISC	PP / PVDF / PVC / CPVC
4	STEM	40A~100A : SUS 410 125A~150A : SCM4 (PP/PVDF COATED)
5	DISC SIDE O-RING	EPDM FPM
6	STEM O-RING	EPDM FPM
7	DISC FACE O-RING	EPDM FPM
8	SET PIN	PP
9	HANDLE	PP
10	LEVER	PPG
11	SPRING	SUS 304
12	WASHER	SUS 304
13	GEAR PLATE	PPG (SUS SCREW BOLT FIXED)
14	NUT	SS41 (PP COATED)

PP,PVDF&CPVC

JIS

Parts Size	d	L	D	JIS 10K		H	MAX Working Pressure (kg/cm ²)
				C	n-h		
40A	49	39	150	105	4-19	163	10
50A	58	42	165	120	4-19	165	10
65A	69	47	185	140	4-19	180	10
80A	79	45	200	150	8-19	185	10
100A	101	56	229	175	8-19	206	10
125A	129	66	254	210	8-23	262	10
150A	150	73	285	240	8-23	281	10

ANSI

Parts Size	d	L	D	ANSI CLASS 150		H	MAX Working Pressure (kg/cm ²)
				C	n-h		
1-1/2"	1.93	1.54	5.91	3.88	4-0.63	6.42	10
2"	2.28	1.65	6.50	4.75	4-0.75	6.50	10
2-1/2"	2.72	1.85	7.28	5.50	4-0.75	7.09	10
3"	3.11	1.77	7.87	6.00	4-0.75	7.28	10
4"	3.98	2.20	9.02	7.50	8-0.75	8.11	10
5"	5.08	2.60	10.00	8.50	8-0.87	10.31	10
6"	5.91	2.87	11.22	9.50	8-0.87	11.06	10



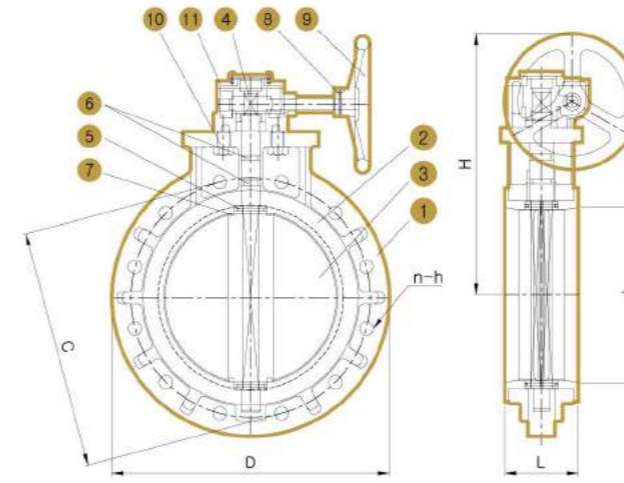
Butterfly Valves

Gear Type

- Material : Body/Disc
PP/PP, PP/CPVC,
PP/PVDF, PVDF/PVDF
- Size : 40mm - 600mm, 1/2" - 24"
Gear Box
- Pressure Rating : JIS 10kgf/cm², 150 PSI
- Seat : EPDM or FPM
- Connections : ANSI 150 PSI
JIS 10kgf/cm²

Special Features

- 협소한 장소에 설치 가능하도록 제작
- 유체의 통로가 배관과 일직선으로 유량 및 압력 유지
- DISC 유동 손실을 최소화 하도록 설계
- Lever(소,중구경), Gear(소,중,대구경) Type Operator 장착
- 600mm, 24" Size까지 제작
- Actuator 설치 가능
- 일반용, 고압용 구분 생산



NO	PARTS	MATERIALS
1	BODY	PP / PVDF
2	SEAT	EPDM FPM
3	DISC	PP / PVDF / PVC / CPVC 40~150A = SUS 410
4	STEM	200~500A = SCM4 (PP/PVDF COATED) 600A = SUS 410
5	DISC SIDE O-RING	EPDM FPM
6	STEM O-RING	EPDM FPM
7	DISC FACE O-RING	EPDM FPM
8	SET PIN	SCM
9	HAND WHEEL	PP (S45C INSERTED)
10	BOLT	40A~250A = SS41 (PP/PVDF COATED) 300A~600A = SUS 304
11	GEAR BOX	40A~250A = ABS 300A~600A = FC

PP&PVDF

JIS

unit : mm

Parts Size	d	L	D	JIS 10K		H	PRESSURE OPTION	
				C	n-h		MAX Working Pressure (kg/cm ²)	
							NORMAL PRESSURE TYPE(일반용)	HIGH PRESSURE TYPE(고압용)
40A	49	39	150	105	4-19	170	10	10
50A	58	42	165	140	4-19	190	10	10
65A	69	47	185	140	4-19	190	10	10
80A	79	45	200	150	8-19	190	10	10
100A	101	56	229	175	8-19	250	10	10
125A	129	66	254	210	8-23	270	10	10
150A	150	73	285	240	8-23	280	10	10
200A	208	94	340	290	12-23	350	7.5	10
250A	256	111	413	355	12-25	380	7.5	10
300A	315	131	495	400	16-25	460	5	10
350A	351	134	522	445	16-25	480	3	8
400A	400	172	600	510	16-27	530	3	7
450A	452	179	630	565	20-27	630	3	6
500A	502	193	699	620	20-27	660	3	5
600A	604	209	813	730	24-33	690	3	5

ANSI

unit : Inch

Parts Size	d	L	D	ANSI CLASS 150		H	PRESSURE OPTION	
				C	n-h		MAX Working Pressure (kg/cm ²)	
							NORMAL PRESSURE TYPE(일반용)	HIGH PRESSURE TYPE(고압용)
1-1/2"	1.93	1.54	5.91	3.88	4-0.63	6.69	10	10
2"	2.28	1.65	6.50	4.75	4-0.75	7.09	10	10
2-1/2"	2.72	1.85	7.28	5.50	4-0.75	7.48	10	10
3"	3.11	1.77	7.87	6.00	4-0.75	7.48	10	10
4"	3.98	2.20	9.02	7.50	8-0.75	9.84	10	10
5"	5.08	2.60	10.00	8.50	8-0.87	10.63	10	10
6"	5.91	2.87	11.22	9.50	8-0.87	11.02	10	10
8"	8.19	3.70	13.39	11.75	8-0.87	13.78	7.5	10
10"	10.08	4.37	16.26	14.25	12-0.98	14.96	7.5	10
12"	12.40	5.16	19.49	17.00	12-0.98	18.11	5	10
14"	13.82	5.28	20.55	18.75	12-1.10	18.90	3	8
16"	15.75	6.77	23.62	21.25	16-1.10	20.87	3	7
18"	17.80	7.05	24.80	22.75	16-1.26	24.80	3	6
20"	19.76	7.60	27.52	25.00	16-1.26	25.98	3	5
24"	23.78	8.23	32.01	29.50	20-1.38	27.17	3	5

Check & Foot Valves

Thermo Plastic Valves



Check Valves

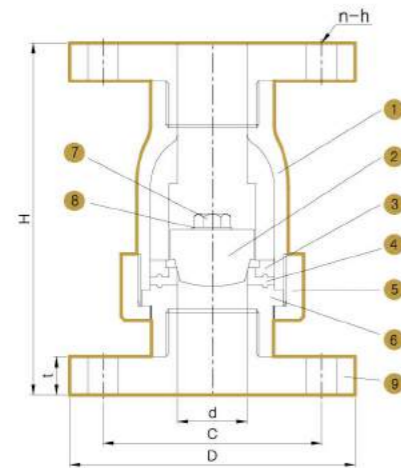
Flange Type

- Material : PVC, CPVC, PP, PVDF
- Size : 15mm - 300mm, 1/2" - 12"
- Pressure Rating : JIS 10kgf/cm², 150 PSI

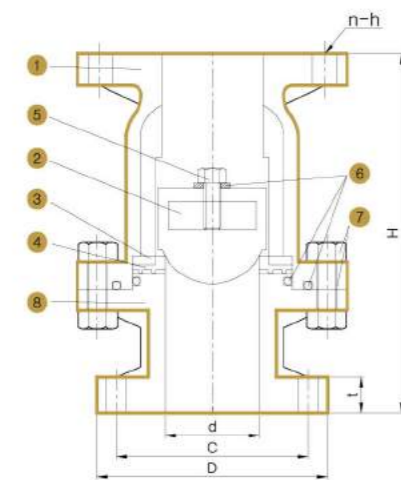
- O-Ring : EPDM or FPM
- Connections : ANSI 150 PSI Flanged
JIS 10kgf/cm² Flanged

Special Features

- 수직 배관 전용
- 최적화된 Disc 제작
- 중력에 의한 작동으로 우수한 역류 방지 기능
- 유체 방향에 유의하여 설치



15A ~ 50A



65A ~ 200A

NO	PARTS	MATERIALS
1	BODY	PP/PVDF/PVC/CPVC
2	DISC	S45C(PP/PVDF/PVC/CPVC COATED)
3	STOP RING	PP/PVDF/PVC/CPVC
4	SEAT	EPDM FPM
5	GLAND CAP	PP/PVDF/PVC/CPVC
6	END CONNECTOR 1	PP/PVDF/PVC/CPVC
7	BOLT	PP/PVDF/PVC/CPVC
8	O-RING	EPDM FPM
9	END CONNECTOR 2	PP/PVDF/PVC/CPVC

NO	PARTS	MATERIALS
1	BODY	PP/PVDF/PVC/CPVC
2	DISC	S45C(PP/PVDF/PVC/CPVC COATED)
3	STOP RING	PP/PVDF/PVC/CPVC
4	SEAT	EPDM FPM
5	BOLT	PP/PVDF/PVC/CPVC
6	O-RING	EPDM FPM
7	BOLT & NUT	SS41 (PP COATED) SUS 304
8	END CONNECTOR	PP/PVDF/PVC/CPVC

PVC&CPVC

JIS

Parts Size	d	t	H	JIS 10K			MAX Working Pressure (kg/cm ²)
				D	C	n-h	
15A	15	14	111	95	70	4-15	7.5
20A	20	15	133	100	75	4-15	7.5
25A	25	15	169	125	90	4-19	7.5
30A	30	15.5	176	135	100	4-19	7.5
40A	40	16	178	140	105	4-19	7.5
50A	50	20	226	155	120	4-19	7.5
65A	65	20	228	175	140	4-19	7.5
80A	75	22	244	185	150	8-19	7.5
100A	100	23	298	210	175	8-19	7.5
125A	125	24	335	250	210	8-23	5
150A	150	25	394	280	240	8-23	5
200A	202	29	446	330	290	12-23	5

ANSI

Parts Size	d	t	H	ANSI CLASS 150			MAX Working Pressure (kg/cm ²)
				D	C	n-h	
1/2"	0.59	0.51	4.17	3.50	2.38	4-0.63	7.5
3/4"	0.79	0.59	5.04	3.88	2.75	4-0.63	7.5
1"	0.98	0.59	6.42	4.25	3.12	4-0.63	7.5
1-1/4"	0.98	0.61	6.54	4.62	3.50	4-0.63	7.5
1-1/2"	1.57	0.63	6.81	5.00	3.88	4-0.63	7.5
2"	1.97	0.79	8.66	6.00	4.75	4-0.75	7.5
2-1/2"	2.56	0.79	8.98	7.00	5.50	4-0.75	7.5
3"	2.95	0.87	9.61	7.50	6.00	4-0.75	7.5
4"	3.94	0.93	11.73	9.00	7.50	8-0.75	7.5
5"	4.92	0.94	13.19	10.00	8.50	8-0.87	5
6"	5.91	0.98	15.51	11.00	9.50	8-0.87	5
8"	7.95	1.14	17.56	13.50	11.75	8-0.87	5

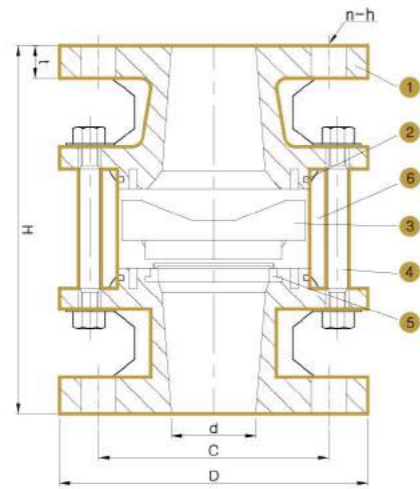
Check Valves

Flange Type

- Material : PVC, CPVC, PP, PVDF
- Size : 15mm - 300mm, 1/2" - 12"
- Pressure Rating : JIS 10kgf/cm², 150 PSI
- O-Ring : EPDM or FPM
- Connections : ANSI 150 PSI Flanged
JIS 10kgf/cm² Flanged

Special Features

- 수직 배관 전용
- 최적화된 Disc 제작
- 중력에 의한 작동으로 우수한 역류 방지 기능
- 유체 방향에 유의하여 설치



250A ~ 300A

NO	PARTS	MATERIALS
1	FLANGE	PP
2	O-RING	EPDM
3	LIFT	PVC
4	STUD BOLT & NUT	SUS 304
5	SEAT	EPDM
6	BODY	PP

PP&PVDF

JIS

Parts Size	d	t	H	JIS 10K			MAX Working Pressure (kg/cm ²)
				D	C	n-h	
15A	15	13	106	95	70	4-15	7.5
20A	20	15	128	100	75	4-15	7.5
25A	25	15	163	125	90	4-19	7.5
30A	30	16	173	135	100	4-19	7.5
40A	40	16	173	140	105	4-19	7.5
50A	50	20	220	155	120	4-19	7.5
65A	65	20	224	175	140	4-19	7.5
80A	75	23	240	185	150	8-19	7.5
100A	100	24	296	210	175	8-19	7.5
125A	125	24	330	250	210	8-23	5
150A	150	25	385	280	240	8-23	5
200A	202	29	446	330	290	12-23	5
250A	252	30	462	400	355	12-25	3
300A	300	34	500	445	400	16-25	3

ANSI

Parts Size	d	t	H	ANSI CLASS 150			MAX Working Pressure (kg/cm ²)
				D	C	n-h	
1/2"	0.59	0.51	4.17	3.50	2.38	4-0.63	7.5
3/4"	0.79	0.59	5.04	3.88	2.75	4-0.63	7.5
1"	0.98	0.59	6.42	4.25	3.12	4-0.63	7.5
1-1/4"	0.98	0.61	6.54	4.62	3.50	4-0.63	7.5
1-1/2"	1.57	0.63	6.81	5.00	3.88	4-0.63	7.5
2"	1.97	0.79	8.66	6.00	4.75	4-0.75	7.5
2-1/2"	2.56	0.79	8.82	7.00	5.50	4-0.75	7.5
3"	2.95	0.91	9.45	7.50	6.00	4-0.75	7.5
4"	3.94	0.94	11.65	9.00	7.50	8-0.75	7.5
5"	4.92	0.94	12.99	10.00	8.50	8-0.87	5
6"	5.91	0.98	15.16	11.00	9.50	8-0.87	5
8"	7.95	1.14	17.56	13.50	11.75	8-0.87	5



Check Valves

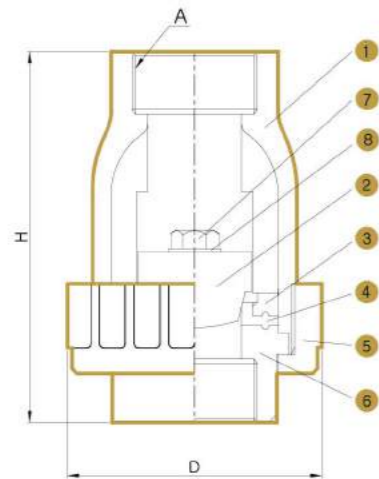
Thread Type

- Material : PVC, CPVC, PP, PVDF
- Size : 1/2" - 2"
- Pressure Rating : JIS 10kgf/cm², 150 PSI

- O-Ring : EPDM or FPM
- Connections : PT Thread

Special Features

- 수직 배관 전용
- 최적화된 Disc 제작
- 중력에 의한 작동으로 우수한 역류 방지 기능
- 유체 방향에 유의하여 설치



NO	PARTS	MATERIALS
1	BODY	PP/PVDF/PVC/CPVC
2	DISC	S45C (PP/PVDF/PVC/CPVC COATED)
3	STOP RING	PP/PVDF/PVC/CPVC
4	SEAT	EPDM FPM
5	GLAND CAP	PP/PVDF/PVC/CPVC
6	END CONNECTOR	PP/PVDF/PVC/CPVC
7	BOLT	PP/PVDF/PVC/CPVC
8	O-RING	EPDM FPM

PP&PVDF

JIS

Size	Parts	H	D	unit : mm	
				JIS B 0203 A	MAX Working Pressure (kg/cm ²)
15A		81	48	PT 1/2"	7.5
20A		100	62	PT 3/4"	7.5
25A		134	80	PT 1"	7.5
40A		141	97	PT 1 1/2"	7.5
50A		178	119	PT 2"	7.5

PVC&CPVC

JIS

Size	Parts	H	D	unit : mm	
				JIS B 0203 A	MAX Working Pressure (kg/cm ²)
15A		83	49	PT 1/2"	7.5
20A		101	62	PT 3/4"	7.5
25A		137	80	PT 1"	7.5
40A		144	98	PT 1 1/2"	7.5
50A		182	120	PT 2"	7.5



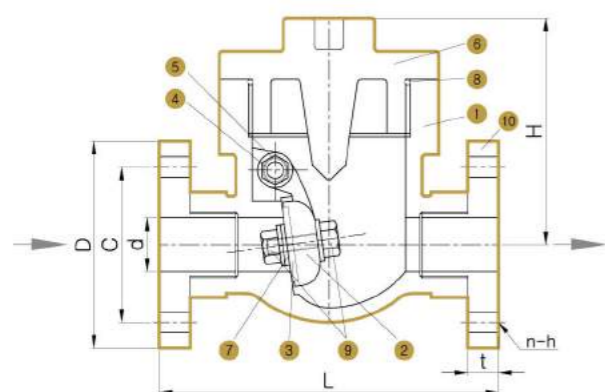
Swing Check Valves

Flange Type

- Material : PVC, CPVC, PP, PVDF
- Size : 20mm - 250mm, 3/4" - 10"
- Pressure Rating : JIS 10kgf/cm², 150 PSI
- O-Ring : EPDM or FPM
- Connections : ANSI 150 PSI Flanged
JIS 10kgf/cm² Flanged

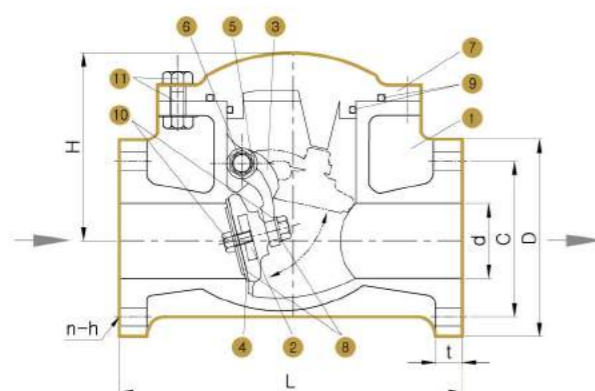
Special Features

- 수직 수평 배관 사용 가능
- 최적화된 Disc 제작
- 낮은 압력에서도 역류방지 기능 작동
- 유체 통로가 배관과 일직선으로 유량 및 압력 유지
- 유체 방향에 유의하여 설치



20A ~ 25A

NO	PARTS	MATERIALS
1	BODY	PP/PVDF/PVC/CPVC
2	DISC & SWING ARM	S45C(PP/PVDF/PVC/CPVC COATED)
3	SEAT	EPDM
4	SHAFT & BOLT	PP/PVDF/PVC/CPVC
5	O-RING	EPDM
6	BONNET	PP/PVDF/PVC/CPVC
7	SEAT SUPPORT	EPDM
8	BONNET O-RING	EPDM
9	HOLDER BOLT & NUT	PP/PVDF/PVC/CPVC
10	FLANGE	PP/PVDF/PVC/CPVC



30A ~ 100A

NO	PARTS	MATERIALS
1	BODY	PP/PVDF/PVC/CPVC
2	DISC	S45C(PP/PVDF/PVC/CPVC COATED)
3	SWING ARM	PP/PVDF/PVC/CPVC
4	SEAT	EPDM
5	SHAFT & BOLT	PP/PVDF/PVC/CPVC
6	O-RING	EPDM
7	BONNET	PP/PVDF/PVC/CPVC
8	SEAT SUPPORT	PP/PVDF/PVC/CPVC
9	BONNET O-RING	EPDM
10	HOLDER BOLT & NUT	PP/PVDF/PVC/CPVC
11	BOLT & NUT	SS41 (PP COATED) SUS 304



PP&PVDF

JIS

Parts Size	d	L	t	JIS 10K			H	MAX Working Pressure (kg/cm ²)
				D	C	n-h		
20A	20	140	15	100	75	4-15	90	7.5
25A	25	158	15	125	90	4-19	120	7.5
30A	40	180	18	135	100	4-19	138	7.5
40A	40	180	18	140	105	4-19	138	7.5
50A	50	200	21	155	120	4-19	164	7.5
65A	65	240	23	175	140	4-19	168	7.5
80A	80	259	25	185	150	8-19	171	7.5
100A	100	300	25	210	175	8-19	213	5
125A	125	352	28	250	210	8-23	248	5
150A	150	405	29	280	240	8-23	283	5
200A	202	500	34	330	290	12-23	360	5
250A	250	598	38	400	355	12-25	370	5

ANSI

Parts Size	d	L	t	ANSI CLASS 150			H	MAX Working Pressure (kg/cm ²)
				D	C	n-h		
3/4"	0.79	5.51	0.59	3.88	2.75	4-0.63	3.54	7.5
1"	0.98	6.22	0.59	4.25	3.12	4-0.63	4.72	7.5
1-1/4"	1.57	7.09	0.71	4.62	3.50	4-0.63	5.43	7.5
1-1/2"	1.57	7.09	0.71	5.00	3.88	4-0.63	5.43	7.5
2"	1.97	7.87	0.83	6.00	4.75	4-0.75	6.46	7.5
2-1/2"	2.56	9.45	0.91	7.00	5.50	4-0.75	6.61	7.5
3"	3.15	10.20	0.98	7.50	6.00	4-0.75	6.73	7.5
4"	3.94	12.01	0.98	9.00	7.50	8-0.75	8.39	5
5"	4.92	13.90	1.10	10.0	8.50	8-0.87	9.76	5
6"	5.91	15.91	1.14	11.0	9.50	8-0.87	11.14	5
8"	7.95	19.69	1.34	13.5	11.75	8-0.87	14.17	5
10"	9.84	23.54	1.50	15.75	13.98	12-0.98	14.57	5

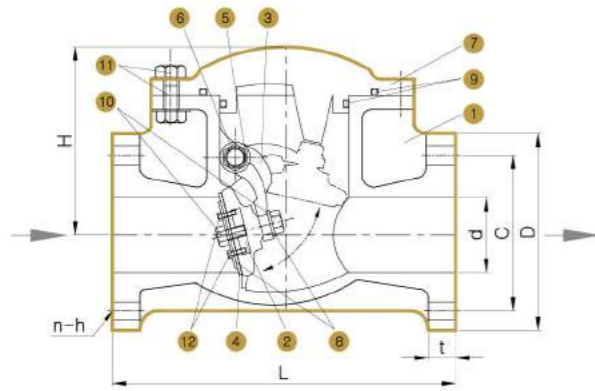
Swing Check Valves

Flange Type

- Material : PVC, CPVC, PP, PVDF
- Size : 20mm - 250mm, 3/4" - 10"
- Pressure Rating : JIS 10kgf/cm², 150 PSI
- O-Ring : EPDM or FPM
- Connections : ANSI 150 PSI Flanged
JIS 10kgf/cm² Flanged

Special Features

- 수직 수평 배관 사용 가능
- 최적화된 Disc 제작
- 낮은 압력에서도 역류방지 기능 작동
- 유체 통로가 배관과 일직선으로 유량 및 압력 유지
- 유체 방향에 유의하여 설치



125A ~ 250A

NO	PARTS	MATERIALS
1	BODY	PP/PVDF/PVC/CPVC
2	DISC	S45C (PP/PVDF/PVC/CPVC COATED)
3	SWING ARM	PP/PVDF/PVC/CPVC
4	SEAT	EPDM FPM
5	SHAFT & BOLT	PP/PVDF/PVC/CPVC
6	O-RING	EPDM FPM
7	BONNET	PP/PVDF/PVC/CPVC
8	SEAT SUPPORT	PP/PVDF/PVC/CPVC
9	BONNET O-RING	EPDM FPM
10	HOLDER BOLT & NUT	PP/PVDF/PVC/CPVC
11	BOLT & NUT	SS41 (PP COATED) SUS 304
12	BOLT	SS41 (PP COATED)

PVC&CPVC

JIS

Size	Parts	d	L	t	JIS 10K			H	MAX Working Pressure (kg/cm ²)
					D	C	n-h		
20A		20	140	15	100	75	4-15	90	7.5
25A		25	158	15	125	90	4-19	120	7.5
30A		40	185	18	135	100	4-19	138	7.5
40A		40	185	18	140	105	4-19	138	7.5
50A		50	203	21	155	120	4-19	164	7.5
65A		65	245	23	175	140	4-19	168	7.5
80A		80	263	24	185	150	8-19	171	7.5
100A		100	305	25	210	175	8-19	213	5
125A		125	355	28	250	210	8-23	248	5
150A		150	405	29	280	240	8-23	283	5
200A		202	500	34	330	290	12-23	360	5
250A		250	598	38	400	355	12-25	370	5

ANSI

Size	Parts	d	L	t	ANSI CLASS 150			H	MAX Working Pressure (kg/cm ²)
					D	C	n-h		
3/4"		0.79	5.51	0.59	3.88	2.75	4-0.63	3.54	7.5
1"		0.98	6.38	0.59	4.25	3.12	4-0.63	4.72	7.5
1-1/4"		1.57	7.28	0.71	4.62	3.50	4-0.63	5.43	7.5
1-1/2"		1.57	7.28	0.71	5.00	3.88	4-0.63	5.43	7.5
2"		1.97	7.99	0.83	6.00	4.75	4-0.75	6.46	7.5
2-1/2"		2.56	9.65	0.91	7.00	5.50	4-0.75	6.61	7.5
3"		3.15	10.35	0.94	7.50	6.00	4-0.75	6.73	7.5
4"		3.94	12.01	0.98	9.00	7.50	8-0.75	8.39	5
5"		4.92	13.98	1.10	10.0	8.50	8-0.87	9.76	5
6"		5.91	15.94	1.14	11.0	9.50	8-0.87	11.14	5
8"		7.95	19.69	1.34	13.5	11.75	8-0.87	14.17	5
10"		9.84	23.54	1.50	15.75	13.98	12-0.98	14.57	5



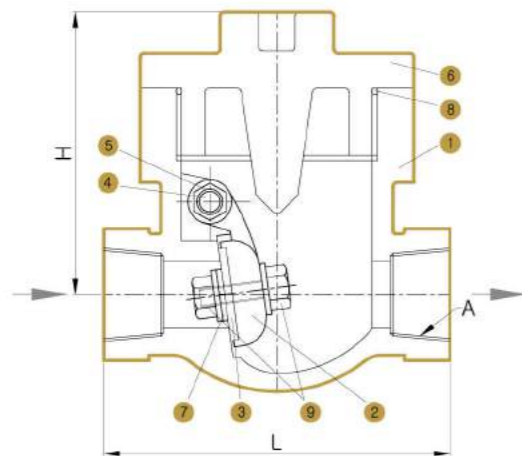
Swing Check Valves

Thread Type

- Material : PVC, CPVC, PP, PVDF
- Size : 20mm - 25mm, 3/4" - 1"
- Pressure Rating : JIS 10kgf/cm², 150 PSI
- O-Ring : EPDM or FPM
- Connections : PT Thread

Special Features

- 수직 수평 배관 사용 가능
- 최적화된 Disc 제작
- 낮은 입력에서도 역류방지 기능 작동
- 유체 통로가 배관과 일직선으로 유량 및 압력 유지
- 유체 방향에 유의하여 설치



NO	PARTS	MATERIALS
1	BODY	PP / PVDF / PVC / CPVC
2	DISC & SWING ARM	PP / PVDF / PVC / CPVC
3	SEAT	EPDM FPM
4	SHAFT & BOLT	PP / PVDF / PVC / CPVC
5	O-RING	EPDM FPM
6	BONNET	PP / PVDF / PVC / CPVC
7	SEAT SUPPORT	EPDM FPM
8	BONNET O-RING	EPDM FPM
9	HOLDER BOLT & NUT	PP / PVDF / PVC / CPVC

PP&PVDF

JIS		unit : mm			
Size	Parts	L	H	JIS B 0203 A	MAX Working Pressure (kg/cm ²)
20A		110	95	PT 3/4"	7.5
25A		128	105	PT 1"	7.5

PVC&CPVC

JIS		unit : mm			
Size	Parts	L	H	JIS B 0203 A	MAX Working Pressure (kg/cm ²)
20A		112	95	PT 3/4"	7.5
25A		120	105	PT 1"	7.5



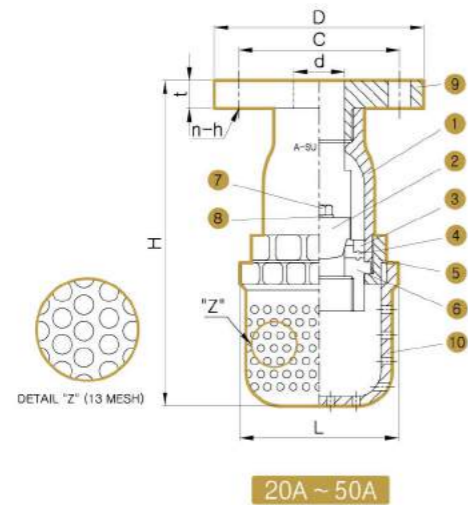
Foot Valves

Flange Type

- Material - Body : PVC, CPVC, PP, PVDF
- Size : 20mm - 150mm, 3/4" - 6"
- Pressure Rating : JIS 10kgf/cm², 150 PSI
- O-Ring : EPDM or FPM
- Connections : ANSI 150 PSI Flanged
JIS 10kgf/cm² Flanged

Special Features

- 수직 배관 적용
- 최적화된 Disc 제작
- 중력에 의한 작동으로 우수한 역류 방지 기능
- 유체 방향에 유의하여 설치



NO	PARTS	MATERIALS
1	BODY	PP / PVDF / PVC / CPVC
2	DISC	S45C (PP / PVDF / PVC / CPVC COATED)
3	STOP RING	PP / PVDF / PVC / CPVC
4	SEAT	EPDM FPM
5	GLAND CAP	PP / PVDF / PVC / CPVC
6	END CONNECTOR 1	PP / PVDF / PVC / CPVC
7	BOLT	PP / PVDF / PVC / CPVC
8	O-RING	EPDM FPM
9	END CONNECTOR 2	PP / PVDF / PVC / CPVC
10	FOOT STRAINER	PP / PVDF / PVC / CPVC



PP&PVDF

JIS

Parts Size	d	L	t	JIS 10K			H	MAX Working Pressure (kg/cm ²)
				D	C	n-h		
20A	20	70	15	100	75	4-15	152	7.5
25A	25	92	15	125	90	4-19	193	7.5
30A	40	112	16	135	100	4-19	204	7.5
40A	40	112	16	140	105	4-19	204	7.5
50A	50	134	20	155	120	4-19	263	7.5
65A	65	180	20	175	140	4-19	255	7.5
80A	75	196	23	185	150	8-19	275	7.5
100A	100	263	24	210	175	8-19	350	7.5
125A	125	305	24	250	210	8-23	392	7.5
150A	150	366	25	280	240	8-23	474	7.5

ANSI

Parts Size	d	L	t	ANSI CLASS 150			H	MAX Working Pressure (kg/cm ²)
				D	C	n-h		
3/4"	0.79	2.76	0.61	3.88	2.75	4-0.63	5.98	7.5
1"	0.98	3.62	0.59	4.25	3.12	4-0.63	7.60	7.5
1-1/4"	1.57	4.41	0.65	4.62	3.50	4-0.63	8.11	7.5
1-1/2"	1.57	4.41	0.65	5.00	3.88	4-0.63	8.11	7.5
2"	1.97	5.28	0.79	6.00	4.75	4-0.75	10.35	7.5
2-1/2"	2.56	7.09	0.79	7.00	5.50	4-0.75	10.04	7.5
3"	2.95	7.72	0.91	7.50	6.00	8-0.75	10.83	7.5
4"	3.94	10.35	0.91	9.00	7.50	8-0.75	13.78	7.5
5"	4.92	12.01	0.91	10.00	8.50	8-0.87	15.43	7.5
6"	5.91	14.41	0.98	11.00	9.50	8-0.87	18.66	7.5

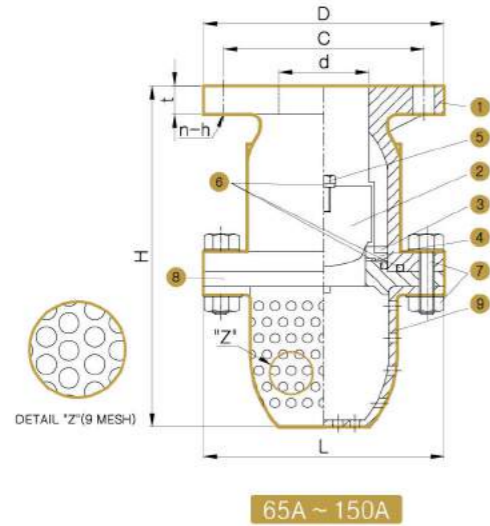
Foot Valves

Flange Type

- Material - Body : PVC, CPVC, PP, PVDF
- Size : 20mm - 150mm, 3/4" - 6"
- Pressure Rating : JIS 10kgf/cm², 150 PSI
- O-Ring : EPDM or FPM
- Connections : ANSI 150 PSI Flanged
JIS 10kgf/cm² Flanged

Special Features

- 수직 배관 적용
- 최적화된 Disc 제작
- 중력에 의한 작동으로 우수한 역류 방지 기능
- 유체 방향에 유의하여 설치



NO	PARTS	MATERIALS
1	BODY	PP / PVDF / PVC / CPVC
2	DISC	S45C (PP / PVDF / PVC / CPVC COATED)
3	STOP RING	PP / PVDF / PVC / CPVC
4	SEAT	EPDM FPM
5	BOLT	PP / PVDF / PVC / CPVC
6	O-RING	EPDM FPM
7	BOLT & NUT	PPG
8	SEAT SUPPORT	PP / PVDF / PVC / CPVC
9	FOOT STRAINER	PP / PVDF / PVC / CPVC

PVC&CPVC

JIS

Parts Size	d	L	t	JIS 10K			H	MAX Working Pressure (kg/cm ²)
				D	C	n-h		
20A	20	70	15	100	75	4-15	155	7.5
25A	25	92	15	125	90	4-19	200	7.5
30A	40	112	16	135	100	4-19	210	7.5
40A	40	112	16	140	105	4-19	210	7.5
50A	50	134	20	155	120	4-19	270	7.5
65A	65	180	20	175	140	4-15	261	7.5
80A	75	196	22	185	150	8-19	279	7.5
100A	100	263	23	210	175	8-19	355	5
125A	125	305	24	250	210	8-23	396	5
150A	150	366	25	280	240	8-23	478	5

ANSI

Parts Size	d	L	t	ANSI CLASS 150			H	MAX Working Pressure (kg/cm ²)
				D	C	n-h		
3/4"	0.79	2.76	0.59	3.88	2.75	4-0.63	6.06	7.5
1"	0.98	3.62	0.59	4.25	3.12	4-0.63	7.87	7.5
1-1/4"	1.57	4.41	0.63	4.62	3.50	4-0.63	8.11	7.5
1-1/2"	1.57	4.41	0.63	5.00	3.88	4-0.63	8.11	7.5
2"	1.97	5.28	0.83	6.00	4.75	4-0.75	10.63	7.5
2-1/2"	2.56	7.09	0.83	7.00	5.50	4-0.75	10.28	7.5
3"	2.95	7.72	0.87	7.50	6.00	8-0.75	10.38	7.5
4"	3.94	10.35	0.91	9.00	7.50	8-0.75	13.78	5
5"	4.92	12.01	0.91	10.00	8.50	8-0.87	15.43	5
6"	5.91	14.41	0.98	11.00	9.50	8-0.87	18.66	5



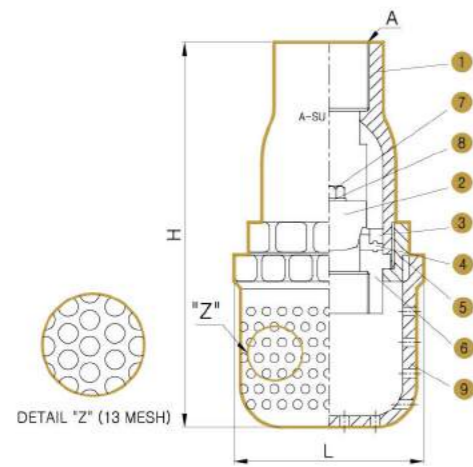
Foot Valves

Thread Type

- Material - Body : PVC, CPVC, PP, PVDF
- Size : 20mm - 50mm, 3/4" - 2"
- Pressure Rating : JIS 10kgf/cm², 150 PSI
- O-Ring : EPDM or FPM
- Connections : PT Thread

Special Features

- 수직 배관 적용
- 최적화된 Disc 제작
- 중력에 의한 작동으로 우수한 역류 방지 기능
- 유체 방향에 유의하여 설치



NO	PARTS	MATERIALS
1	BODY	PP / PVDF / PVC / CPVC
2	DISC	S45C(PP / PVDF / PVC / CPVC COATED)
3	STOP RING	PP / PVDF / PVC / CPVC
4	SEAT	EPDM FPM
5	GLAND CAP	PP / PVDF / PVC / CPVC
6	END CONNECTOR 1	PP / PVDF / PVC / CPVC
7	BOLT	PP / PVDF / PVC / CPVC
8	O-RING	EPDM FPM
9	FOOT STRAINER	PP / PVDF / PVC / CPVC



PP&PVDF

JIS		unit : mm			
Size	Parts	L	H	JIS B 0203 A	MAX Working Pressure (kg/cm ²)
20A		70	137	PT 3/4"	7.5
25A		92	180	PT 1"	7.5
40A		112	190	PT 1 1/2"	7.5
50A		134	242	PT 2"	7.5

PVC&CPVC

JIS		unit : mm			
Size	Parts	L	H	JIS B 0203 A	MAX Working Pressure (kg/cm ²)
20A		70	140	PT 3/4"	7.5
25A		92	183	PT 1"	7.5
40A		112	195	PT 1 1/2"	7.5
50A		134	247	PT 2"	7.5

Gate & Glove Valves

Thermo Plastic Valves



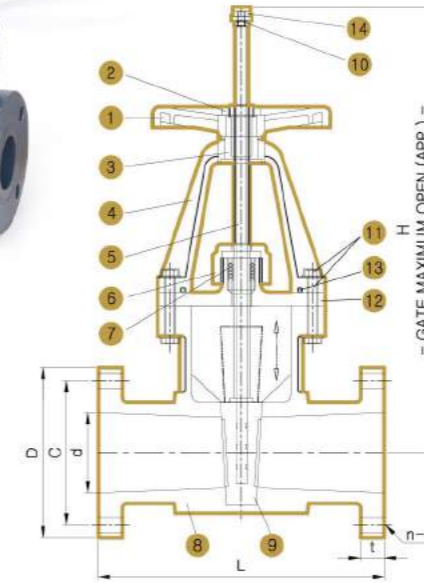
Sluice Gate Valves

Flange Type

- Material : PVC, CPVC, PP, PVDF
- Size : 40mm - 250mm, 1½" - 10"
- Pressure Rating : JIS 10kgf/cm², 150 PSI
- O-Ring : EPDM or FPM
- Connections : ANSI 150 PSI Flanged
JIS 10kgf/cm² Flanged

Special Features

- 상하 작동 방식
- OSY Type으로 개폐 상태 육안 확인 가능
- 뛰어난 내구성과 편리한 핸들 조작
- 유체 통로가 배관과 일직선으로 유량 및 압력 유지
- 완전 개폐 Line에 이상적



NO	PARTS	MATERIALS
1	HAND WHEEL	PP
2	LOCK NUT	PP
3	SLEEVE	FC (PLATING : Zn)
4	YOKE	PP / PVDF / PVC / CPVC
5	SPINDLE	SUS 304
6	GLAND CAP	PP / PVDF / PVC / CPVC
7	V-RING	PE
8	BODY	PP / PVDF / PVC / CPVC
9	GATE	S45C(PP / PVDF / PVC / CPVC COATED)
10	STEM STOPPER NUT	SUS 304
11	BOLT & NUT	SS41 (PP COATED)
12	BONNET	PP / PVDF / PVC / CPVC
13	O-RING	EPDM FPM
14	STOPPER	SS41 (PLATING : Zn)

PP&PVDF

JIS

Parts Size	d	L	t	JIS 10K			H	MAX Working Pressure (kg/cm ²)
				D	C	n-h		
40A	40	170	17	140	105	4-19	295	10
50A	52	190	20	155	120	4-19	328	10
65A	65	200	21	175	140	4-19	371	10
80A	78	220	22	185	150	8-19	420	10
100A	100	250	22	210	175	8-19	493	7
125A	125	264	22	250	210	8-23	643	5
150A	150	290	25	280	240	8-23	716	5
200A	200	375	29	330	290	12-23	910	5
250A	200	390	30	400	355	12-25	920	5

ANSI

Parts Size	d	L	t	ANSI CLASS 150			H	MAX Working Pressure (kg/cm ²)
				D	C	n-h		
1-1/2"	1.57	6.69	0.67	5.00	3.88	4-0.63	11.61	10
2"	1.97	7.48	0.79	6.00	4.75	4-0.75	12.91	10
2-1/2"	2.56	7.87	0.83	7.00	5.50	4-0.75	14.61	10
3"	3.07	8.66	0.87	7.50	6.00	4-0.75	16.54	10
4"	3.94	9.84	0.87	9.00	7.50	8-0.75	19.41	7
5"	4.92	10.39	0.87	10.00	8.50	8-0.87	25.32	5
6"	5.91	11.42	0.98	11.00	9.50	8-0.87	28.19	5
8"	7.87	14.76	1.14	13.50	11.75	8-0.87	35.83	5

PVC&CPVC

JIS

Parts Size	d	L	t	JIS 10K			H	MAX Working Pressure (kg/cm ²)
				D	C	n-h		
40A	40	170	17	140	105	4-19	295	10
50A	52	190	20	155	120	4-19	328	10
65A	65	200	21	175	140	4-19	371	10
80A	78	220	22	185	150	8-19	420	10
100A	100	250	22	210	175	8-19	493	7
125A	125	262	22	250	210	8-23	643	5
150A	150	290	25	280	240	8-23	716	5
200A	200	375	29	330	290	12-23	910	5
250A	200	390	30	400	355	12-25	920	5

ANSI

Parts Size	d	L	t	ANSI CLASS 150			H	MAX Working Pressure (kg/cm ²)
				D	C	n-h		
1-1/2"	1.57	6.69	0.67	5.00	3.88	4-0.63	11.61	10
2"	1.97	7.48	0.79	6.00	4.75	4-0.75	12.91	10
2-1/2"	2.56	7.87	0.83	7.00	5.50	4-0.75	14.61	10
3"	3.07	8.66	0.87	7.50	6.00	4-0.75	16.54	10
4"	3.94	9.84	0.87	9.00	7.50	8-0.75	19.41	7
5"	4.92	10.39	0.87	10.00	8.50	8-0.87	25.32	5
6"	5.91	11.42	0.98	11.00	9.50	8-0.87	28.19	5
8"	7.87	14.76	1.14	13.50	11.75	8-0.87	35.83	5

Glove (Stop) Valves

Flange Type

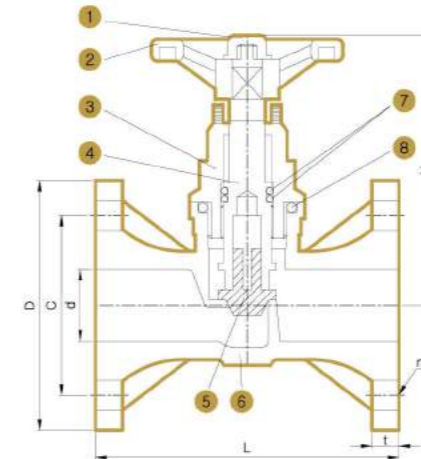
- Material : PVC, CPVC, PVDF
- Size : 15mm - 50mm, 1/2" - 2"
- Pressure Rating : JIS 10kgf/cm², 150 PSI

Special Features

- DISC 상하 작동 방식
- 최적화 된 DISC 제작
- S자 형태로 인한 감압 효과

- O-Ring : EPDM or FPM
- Connections : ANSI 150 PSI Flanged
JIS 10kgf/cm² Flanged

- 유량 조절이 가능하고 소구경에 적합
- GAUGE 부착으로 인해 개폐 상태 육안 확인 용이



NO	PARTS	MATERIALS
1	LOCK NUT	PP
2	HANDLE	PP
3	BONNET	PVDF/PVC/CPVC
4	STEM	PVDF/PVC/CPVC
5	DISC	PVDF/PVC/CPVC
6	BODY	PVDF/PVC/CPVC
7	STEM O-RING	EPDM / FPM
8	BONNET O-RING	EPDM / FPM

PVDF

JIS

Parts Size	d	L	t	JIS 10K			H	MAX Working Pressure (kg/cm ²)
				D	C	n-h		
15A	17	85	14	95	70	4-15	117.5	10
20A	22	95	15	100	75	4-15	130	10
25A	27	110	15	125	90	4-19	137	10
30A	34	134	15	135	100	4-19	154	10
40A	42	157	16	140	105	4-19	194	10
50A	54	183	18	155	120	4-19	239	10

ANSI

Parts Size	d	L	t	ANSI CLASS 150			H	MAX Working Pressure (kg/cm ²)
				D	C	n-h		
1/2"	0.67	3.35	0.55	3.50	2.38	4-0.63	4.63	10
3/4"	0.87	3.74	0.59	3.88	2.75	4-0.63	5.12	10
1"	1.06	4.33	0.59	4.25	3.12	4-0.63	5.39	10
1-1/4"	1.34	5.28	0.59	4.62	3.50	4-0.63	6.06	10
1-1/2"	1.65	6.18	0.63	5.00	3.88	4-0.63	7.64	10
2"	2.13	7.20	0.71	6.00	4.75	4-0.75	9.41	10

PVC&CPVC

JIS

Parts Size	d	L	t	JIS 10K			H	MAX Working Pressure (kg/cm ²)
				D	C	n-h		
15A	17	85	14	95	70	4-15	117.5	10
20A	22	95	15	100	75	4-15	130	10
25A	27	110	15	125	90	4-19	137	10
30A	34	134	15	135	100	4-19	154	10
40A	42	157	16	140	105	4-19	194	10
50A	54	183	18	155	120	4-19	239	10

ANSI

Parts Size	d	L	t	ANSI CLASS 150			H	MAX Working Pressure (kg/cm ²)
				D	C	n-h		
1/2"	0.67	3.35	0.55	3.50	2.38	4-0.63	4.63	10
3/4"	0.87	3.74	0.59	3.88	2.75	4-0.63	5.12	10
1"	1.06	4.33	0.59	4.25	3.12	4-0.63	5.39	10
1-1/4"	1.34	5.28	0.59	4.62	3.50	4-0.63	6.06	10
1-1/2"	1.65	6.18	0.63	5.00	3.88	4-0.63	7.64	10
2"	2.13	7.20	0.71	6.00	4.75	4-0.75	9.41	10

Glove (Stop) Valves

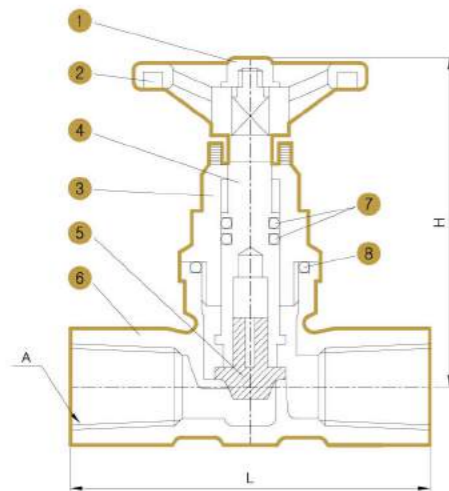
Thread Type

- Material : PVC, CPVC, PVDF
- Size : 15mm - 50mm, 1/2" - 2"
- Pressure Rating : JIS 10kgf/cm², 150 PSI

- O-Ring : EPDM or FPM
- Connections : PT Thread

Special Features

- DISC 상하 작동 방식
- 최적화 된 DISC 제작
- S자 형태로 인한 감압 효과
- 유량 조절이 가능하고 소구경에 적합
- GAUGE 부착으로 인해 개폐 상태 육안 확인 용이



NO	PARTS	MATERIALS
1	LOCK NUT	PP
2	HANDLE	PP
3	BONNET	PVDF / PVC / CPVC
4	STEM	PVDF / PVC / CPVC
5	DISC	PVDF / PVC / CPVC
6	BODY	PVDF / PVC / CPVC
7	STEM O-RING	EPDM / FPM
8	BONNET O-RING	EPDM / FPM



PVDF

JIS

Size	Parts	L	H	unit : mm	
				JIS B 0203 A	MAX Working Pressure (kg/cm ²)
15A		70	123	PT 1/2"	10
20A		80	140	PT 3/4"	10
25A		95	145	PT 1"	10
30A		120	165	PT 1 1/4"	10
40A		132	192	PT 1 1/2"	10
50A		168	247	PT 2"	10

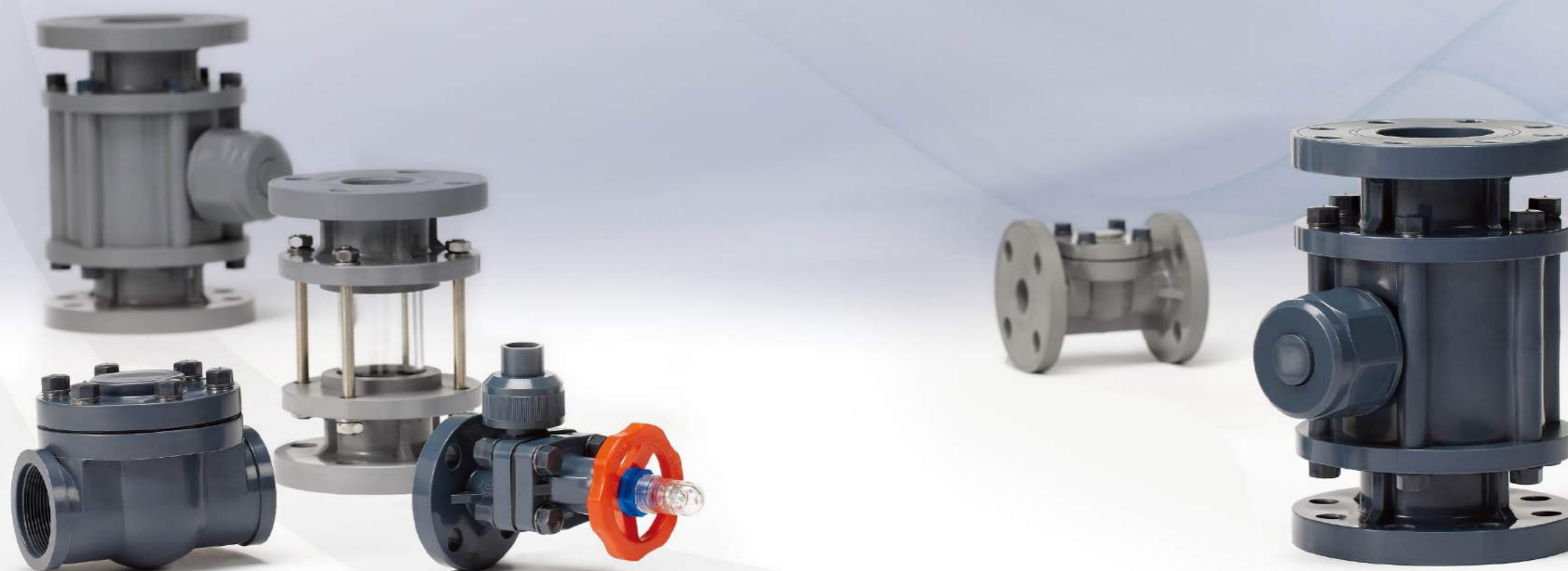
PVC&CPVC

JIS

Size	Parts	L	H	unit : mm	
				JIS B 0203 A	MAX Working Pressure (kg/cm ²)
15A		70	123	PT 1/2"	10
20A		80	140	PT 3/4"	10
25A		95	145	PT 1"	10
30A		120	165	PT 1 1/4"	10
40A		132	192	PT 1 1/2"	10
50A		168	247	PT 2"	10

Others

Thermo Plastic Valves



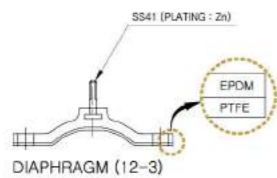
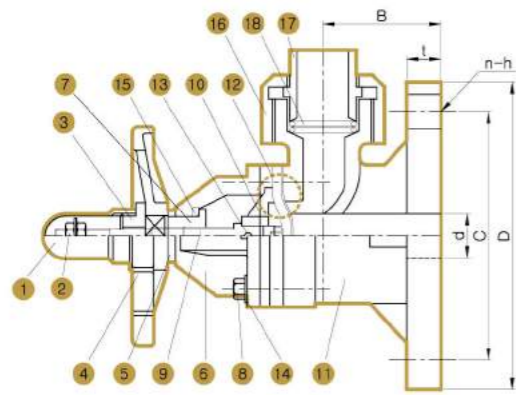
Gauge Valves

Flange Type

- Material : PVC, CPVC, PP, PVDF
- Size : 20mm, 3/4"
- Pressure Rating : JIS 10kgf/cm², 150 PSI
- O-Ring : EPDM or FPM
- Diaphragm : EPDM, FPM, EPDM+PTFE
- Connections : ANSI 150 PSI Flanged
JIS 10kgf/cm² Flanged

Special Features

- Angle Valve
- 상하 작동 방식
- 저장 탱크 내의 유체 양을 측정하기에 적합
- GAUGE CAP 장착으로 개폐 상태 확인 용이
- 다양한 종류의 DIAPHRAGM 격막 재질 적용 가능
- Gauge관 외경 : 18mm - 20mm



NO	PARTS	MATERIALS
1	GAUGE CAP	ACRYL
2	STOPPER NUT	SS41 (PLATING : Zn)
3	LOCK NUT	PP
4	HANDLE WHEEL	PP
5	THRUST WASHER	PVC
6	BONNET	PP/PVDF/PVC/CPVC
7	SLEEVE	BC
8	BOLT & NUT	SS41 (PP COATED)
9	STEM+STUD BOLT UNIT	BC + SS41 (PLATING : Zn)
10	COMPRESSOR	AL
11	BODY	PP/PVDF/PVC/CPVC
12-1	DIAPHRAGM	EPDM
12-2	DIAPHRAGM	FPM
12-3	DIAPHRAGM	EPDM + PTFE
13	PIN	SCM
14	WASHER	SUS 304
15	PTFE RING	FPM & EPDM+PTFE DIAPHRAGM=PTFE EPDM DIAPHRAGM=N/A
16	GLAND CAP	PP/PVDF/PVC/CPVC
17	BODY CAP	PP/PVDF/PVC/CPVC
18	O-RING	EPDM FPM&EPDM+PTFE DIAPHRAGM= FPM



PP&PVDF

JIS

Parts	d	B	t	JIS 10K			MAX Working Pressure (kg/cm ²)
Size				D	C	n-h	
20A	20	50	15	100	75	4-15	7.5

ANSI

Parts	d	B	t	ANSI CLASS 150			MAX Working Pressure (kg/cm ²)
Size				D	C	n-h	
3/4"	0.79	1.97	0.59	3.88	2.75	4-0.63	7.5

PVC&CPVC

JIS

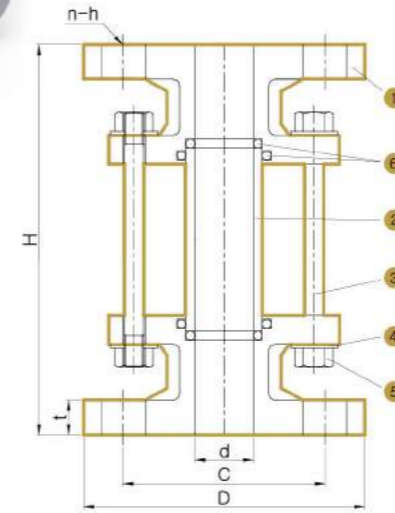
Parts	d	B	t	JIS 10K			MAX Working Pressure (kg/cm ²)
Size				D	C	n-h	
20A	20	50	15	100	75	4-15	7.5

ANSI

Parts	d	B	t	ANSI CLASS 150			MAX Working Pressure (kg/cm ²)
Size				D	C	n-h	
3/4"	0.79	1.97	0.59	3.88	2.75	4-0.63	7.5

Sight Glass

Flange Type



NO	PARTS	MATERIALS
1	BODY CAP FLANGE	PP/PVDF/PVC/CPVC
2	GLASS	GLASS
3	STUD BOLT	SUS 304
4	WASHER	SUS 304
5	NUT	SUS 304
6	O-RING	EPDM
		FPM

- Material : PVC, PP, CPVC, PVDF
- Size : 15mm - 250mm, 1/2" - 10"
- Pressure Rating : JIS 10kgf/cm², 150 PSI

- O-Ring : EPDM or FPM
- Connections : ANSI 150 PSI Flanged
JIS 10kgf/cm² Flanged

Special Features

- 유체 흐름을 확인하기에 적합
- Glass 장착으로 인해 육안확인 용이

- Flange Type으로만 생산

PP&PVDF

JIS

Parts Size	d	H	t	JIS 10K			MAX Working Pressure (kg/cm ²)
				D	C	n-h	
15A	15	144	15.0	95	70	4-15	10
20A	20	150	15.0	100	75	4-15	10
25A	25	170	15.0	125	90	4-19	10
30A	30	175	16.0	135	100	4-19	10
40A	40	191	19.0	140	105	4-19	10
50A	50	210	20.0	155	120	4-19	10
65A	65	261	21.0	175	140	4-19	10
80A	75	265	21.0	185	150	8-19	10
100A	100	300	23.0	210	175	8-19	10
125A	125	359	25.0	250	210	8-23	7.5
150A	150	360	25.0	280	240	8-23	7.5
200A	202	400	27.0	330	290	12-23	5
250A	250	460	30.0	400	355	12-25	5

ANSI

Parts Size	d	H	t	ANSI CLASS 150			MAX Working Pressure (kg/cm ²)
				D	C	n-h	
1/2"	0.59	5.67	0.59	3.50	2.38	4-0.63	10
3/4"	0.79	5.91	0.59	3.88	2.75	4-0.63	10
1"	0.95	6.57	0.63	4.25	3.12	4-0.63	10
1-1/4"	1.18	7.09	0.63	4.62	3.50	4-0.63	10
1-1/2"	1.57	7.52	0.75	5.00	3.88	4-0.63	10
2"	1.97	8.27	0.79	6.00	4.75	4-0.75	10
2-1/2"	2.56	10.28	0.83	7.00	5.50	4-0.75	10
3"	2.95	10.43	0.83	7.50	6.00	4-0.75	10
4"	3.94	11.81	0.91	9.00	7.50	8-0.75	10
5"	4.92	14.13	0.98	10.00	8.50	8-0.87	7.5
6"	5.91	14.17	0.98	11.00	9.50	8-0.87	7.5
8"	7.95	15.75	1.06	13.50	11.75	8-0.87	5
10"	9.84	18.15	1.22	16.00	14.25	12-0.98	5

PVC&CPVC

JIS

Parts Size	d	H	t	JIS 10K			MAX Working Pressure (kg/cm ²)
				D	C	n-h	
15A	15	146	16.0	95	70	4-15	10
20A	20	150	15.0	100	75	4-15	10
25A	25	170	15.0	125	90	4-19	10
30A	30	175	16.0	135	100	4-19	10
40A	40	191	19.0	140	105	4-19	10
50A	50	210	19.0	155	120	4-19	10
65A	65	260	20.0	175	140	4-19	10
80A	75	265	20.0	185	150	8-19	10
100A	100	300	23.0	210	175	8-19	10
125A	125	359	25.0	250	210	8-23	7.5
150A	150	360	25.0	280	240	8-23	7.5
200A	202	400	27.0	330	290	12-23	5
250A	250	461	31.0	400	355	12-25	5

ANSI

Parts Size	d	H	t	ANSI CLASS 150			MAX Working Pressure (kg/cm ²)
				D	C	n-h	
1/2"	0.59	5.67	0.59	3.50	2.38	4-0.63	10
3/4"	0.79	5.91	0.59	3.88	2.75	4-0.63	10
1"	0.95	6.69	0.63	4.25	3.12	4-0.63	10
1-1/4"	1.18	6.89	0.63	4.62	3.50	4-0.63	10
1-1/2"	1.57	7.52	0.75	5.00	3.88	4-0.63	10
2"	1.97	8.27	0.75	6.00	4.75	4-0.75	10
2-1/2"	2.56	10.24	0.79	7.00	5.50	4-0.75	10
3"	2.95	10.43	0.79	7.50	6.00	4-0.75	10
4"	3.94	11.81	0.91	9.00	7.50	8-0.75	10
5"	4.92	14.13	0.98	10.00	8.50	8-0.87	7.5
6"	5.91	14.17	0.98	11.00	9.50	8-0.87	7.5
8"	7.95	15.75	1.06	13.50	11.75	8-0.87	5
10"	9.84	18.15	1.22	16.00	14.25	12-0.98	5



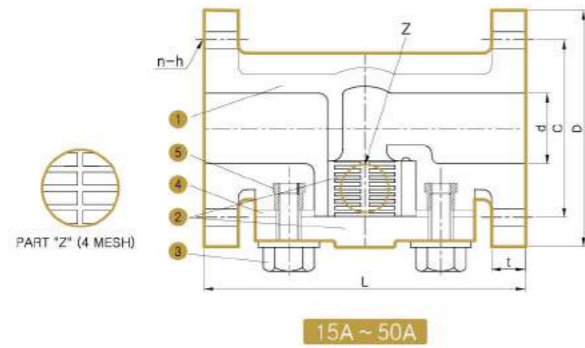
T-Strainer

Flange Type

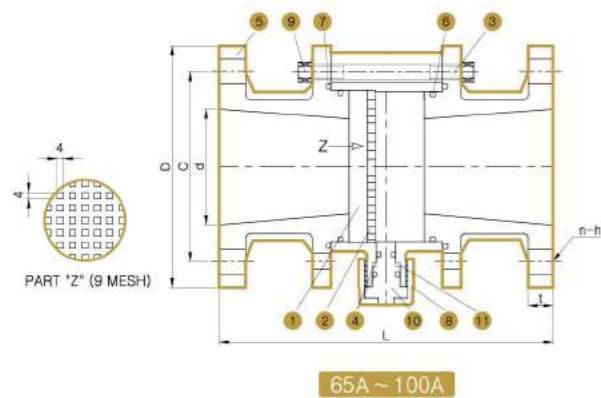
- Material : PVC, PP, CPVC, PVDF
- Size : 15mm - 300mm, 1/2" - 12"
- Pressure Rating : JIS 10kgf/cm², 150 PSI
- Packing : EPDM or FPM
- Connections : ANSI 150 PSI Flanged
JIS 10kgf/cm² Flanged

Special Features

- T-Type
- 여과 역할에 최적화 된 밸브
- 수평 수직 배관 적용 가능
- Plastic Filter로 인해 내식성 우수
- 유체 방향에 유의하여 설치



NO	PARTS	MATERIALS
1	BODY	PP/PVDF/PVC/CPVC
2	BONNET & FILTER	PP/PVDF/PVC/CPVC
3	BOLT	SS41 (PP COATED) SUS 304
4	PACKING	EPDM FPM
5	INSERTED NUT	BC



NO	PARTS	MATERIALS
1	BODY	PP/PVDF/PVC/CPVC
2	FILTER	PP/PVDF/PVC/CPVC
3	STUD BOLT	SS41 (PLATING : Zn)
4	O-RING	EPDM FPM
5	FLANGE	PP/PVDF/PVC/CPVC
6	SIDE O-RING	EPDM FPM
7	FACE O-RING	EPDM FPM
8	GLAND CAP	PP/PVDF/PVC/CPVC
9	NUT	SS41 (PP COATED)
10	STED	PP/PVDF/PVC/CPVC
11	STEM RING	PE PTFE

PVC&CPVC

JIS

Parts Size	d	L	t	JIS 10K			MAX Working Pressure (kg/cm ²)
				D	C	n-h	
15A	15	115	13	95	70	4-15	10
20A	20	122	14	100	75	4-15	10
25A	25	140	15	125	90	4-19	10
30A	30	175	16	135	100	4-19	10
40A	40	169	16	140	105	4-19	10
50A	50	191	16	155	120	4-19	10
65A	65	265	20.5	175	140	4-19	7.5
80A	75	266	22.0	185	150	8-19	7.5
100A	100	301	23.0	210	175	8-19	7.5
125A	125	362	25.0	250	210	8-25	5
150A	150	364	25.0	280	240	8-25	5

unit : mm

ANSI

Parts Size	d	L	t	ANSI CLASS 150			MAX Working Pressure (kg/cm ²)
				D	C	n-h	
1/2"	0.59	4.53	0.51	3.50	2.38	4-0.63	10
3/4"	0.79	4.80	0.55	3.88	2.75	4-0.63	10
1"	0.98	5.51	0.59	4.25	3.12	4-0.63	10
1-1/4"	1.18	6.89	0.63	4.62	3.50	4-0.63	10
1-1/2"	1.57	6.65	0.63	5.00	3.88	4-0.63	10
2"	1.97	7.52	0.63	6.00	4.75	4-0.63	10
2-1/2"	2.64	10.43	0.81	7.00	5.50	4-0.75	7.5
3"	2.95	10.47	0.87	7.50	6.00	4-0.75	7.5
4"	3.94	11.85	0.91	9.00	7.50	8-0.75	7.5
5"	4.92	14.25	0.98	10.00	8.50	8-0.87	5
6"	5.91	14.33	0.98	11.00	9.50	8-0.87	5

unit : inch



T-Strainer

Flange Type

- Material : PVC, PP, CPVC, PVDF
- Size : 15mm - 300mm, 1/2" - 12"
- Pressure Rating : JIS 10kgf/cm², 150 PSI
- Packing : EPDM or FPM
- Connections : ANSI 150 PSI Flanged
JIS 10kgf/cm² Flanged

Special Features

- T-Type
- 여과 역할에 최적화 된 밸브
- 수평 수직 배관 적용 가능
- Plastic Filter로 인해 내식성 우수
- 유체 방향에 유의하여 설치

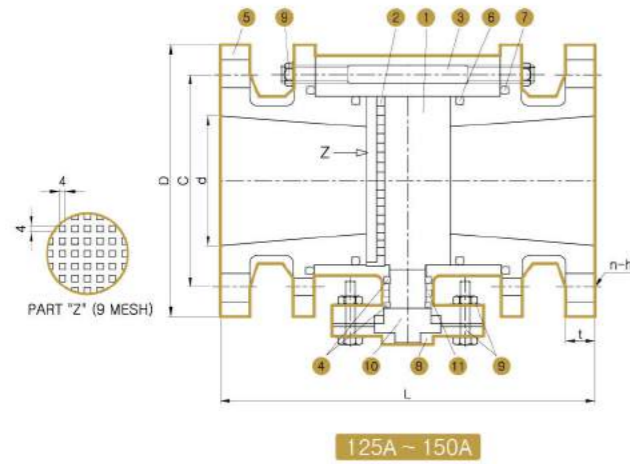
PP&PVDF

JIS

Parts Size	d	L	t	JIS 10K			MAX Working Pressure (kg/cm ²)
				D	C	n-h	
15A	15	114	13.0	95	70	4-15	10
20A	20	120	14.0	100	75	4-15	10
25A	25	137	14.5	125	90	4-19	10
30A	30	166	16.0	135	100	4-19	10
40A	40	166	16.0	140	105	4-19	10
50A	50	186	16.0	155	120	4-19	10
65A	65	261	20.5	175	140	4-19	7.5
80A	75	266	22.0	185	150	8-19	7.5
100A	100	300	23.0	210	175	8-19	7.5
125A	125	360	25.0	250	210	8-25	5
150A	150	363	25.5	280	240	8-25	5
200A	202	404	27.0	330	290	12-23	5
250A	250	463	30.0	403	355	12-25	5
300A	230	540	30.0	445	400	16-25	5

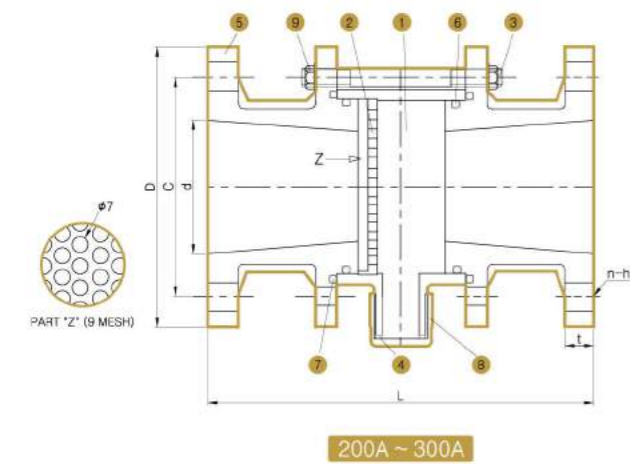
ANSI

Parts Size	d	L	t	ANSI CLASS 150			MAX Working Pressure (kg/cm ²)
				D	C	n-h	
1/2"	0.59	4.49	0.51	3.50	2.38	4-0.63	10
3/4"	0.79	4.72	0.55	3.88	2.75	4-0.63	10
1"	0.98	5.39	0.57	4.25	3.12	4-0.63	10
1-1/4"	1.18	6.54	0.63	4.62	3.50	4-0.63	10
1-1/2"	1.57	6.54	0.63	5.00	3.88	4-0.63	10
2"	1.97	7.32	0.63	6.00	4.75	4-0.75	10
2-1/2"	2.64	10.28	0.81	7.00	5.50	4-0.75	7.5
3"	2.95	10.47	0.87	7.50	6.00	4-0.75	7.5
4"	3.94	11.81	0.91	9.00	7.50	8-0.75	7.5
5"	4.92	14.17	0.98	10.00	8.50	8-0.87	5
6"	5.91	14.29	1.00	11.00	9.50	8-0.87	5
8"	7.95	15.91	1.06	13.05	11.75	8-0.87	5
10"	9.84	18.23	1.18	16.00	14.25	12-0.98	5
12"	9.06	21.26	1.08	19.00	17.00	12-0.98	5



125A ~ 150A

NO	PARTS	MATERIALS
1	BODY	PP / PVDF / PVC / CPVC
2	FILTER	PP / PVDF / PVC / CPVC
3	STUD BOLT	SS41 (PLATING : Zn)
4	O-RING	EPDM FPM
5	FLANGE	PP / PVDF / PVC / CPVC
6	SIDE O-RING	EPDM FPM
7	FACE O-RING	EPDM FPM
8	GLAND CAP	PP / PVDF / PVC / CPVC
9	BOLT & NUT	SS41 (PP COATED)
10	STEM	PP / PVDF / PVC / CPVC
11	STEM RING	PE PTFE



200A ~ 300A

NO	PARTS	MATERIALS
1	BODY	PP
2	FILTER	PP
3	STUD BOLT	SS41 (PLATING : Zn)
4	O-RING	EPDM FPM
5	FLANGE	PP
6	SIDE O-RING	EPDM FPM
7	FACE O-RING	EPDM FPM
8	DRAIN CAP	PP
9	NUT	SUS 304

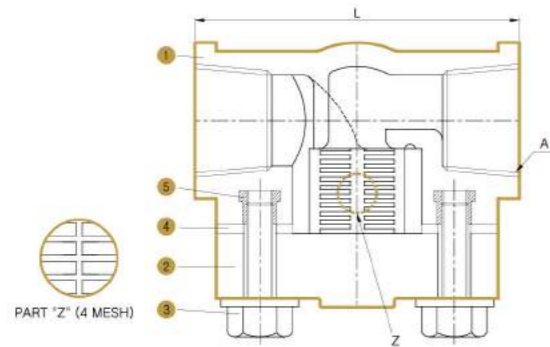
T-Strainer

Thread Type

- Material : PVC, CPVC, PP, PVDF
- Filter : PVC, CPVC, PP, PVDF
- Size : 15mm - 50mm, 1/2" - 2"
- Pressure Rating : JIS 10kgf/cm², 150 PSI
- Packing : EPDM or FPM
- Connections : PT Thread

Special Features

- T-Type
- 여과 역할에 최적화 된 밸브
- 수평 수직 배관 적용 가능
- Plastic Filter로 인해 내식성 우수
- 유체 방향에 유의하여 설치



NO	PARTS	MATERIALS
1	BODY	PP / PVDF / PVC / CPVC
2	BONNET & FILTER	PP / PVDF / PVC / CPVC
3	BOLT	SS41 (PP COATED) SUS 304
4	PACKING	EPDM FPM
5	INSERTED NUT	BC

PP&PVDF

JIS

Size	Parts	L	H	JIS B 0203 A	MAX Working Pressure (kg/cm ²)
15A		75	42	PT 1/2"	10
20A		91	52	PT 3/4"	10
25A		105	52	PT 1"	10
30A		128	73	PT 1 1/4"	10
40A		127	73	PT 1 1/2"	10
50A		151	82	PT 2"	10

PVC&CPVC

JIS

Size	Parts	L	H	JIS B 0203 A	MAX Working Pressure (kg/cm ²)
15A		77	42	PT 1/2"	10
20A		92	52	PT 3/4"	10
25A		107	52	PT 1"	10
30A		130	73	PT 1 1/4"	10
40A		128	73	PT 1 1/2"	10
50A		153	82	PT 2"	10

